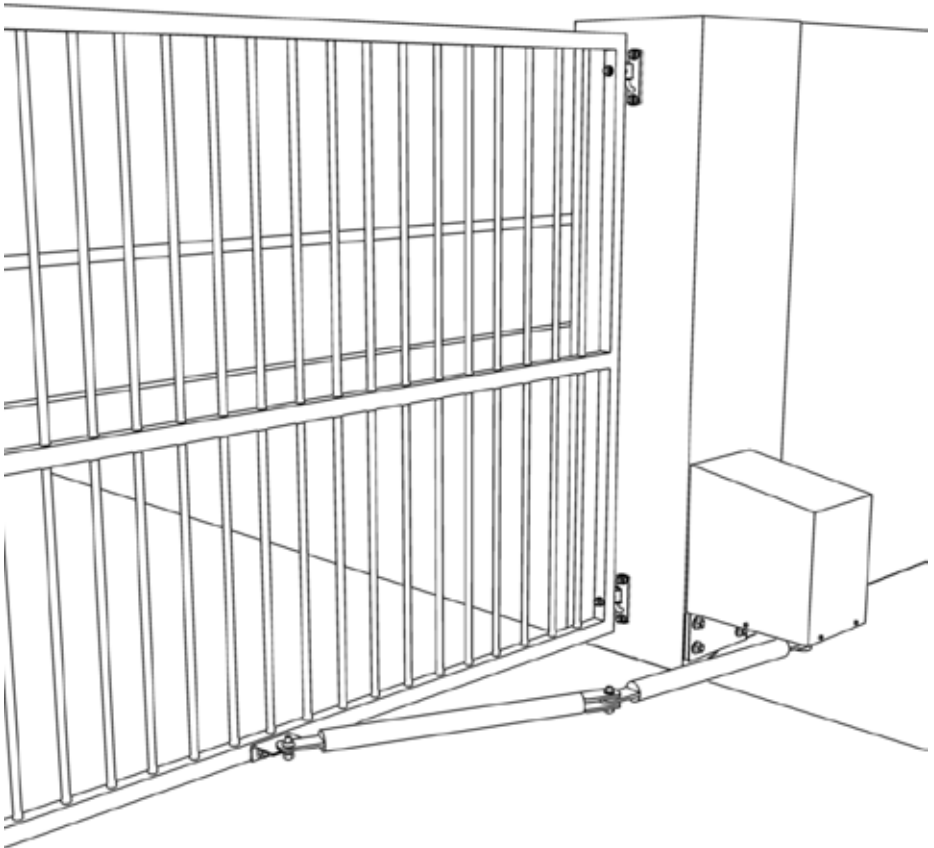


INSTALLATION/SERVICE MANUAL

FOR

e-Gate SWG-24V-IND-S

24V Industrial Single Swing Gate Operator



Developers and Manufacturers
of Gate Automation Technology

CONTENTS

PRE-INSTALLATION CHECK LIST	1
MAXIMUM SIZE OF GATE FOR THE SWG-24V-IND-S	1
WILL THE OPERATOR FIT ON YOUR GATE?	2
GATE OPERATOR FREQUENCY OF USE	3
ENVIRONMENT SUITABLE FOR THE OPERATOR	3
IMPORTANT SAFETY INSTRUCTIONS!	4
TOOLS AND HARDWARE REQUIRED	5
PREPARING THE GATE	6
GATE POSITION ON POST	7
GATES THAT OPEN UP AGAINST A FENCE OR WALL	7
LIFTING GATE FOR SLOPING DRIVEWAY	8
RISING GATE FOR SLOPING DRIVEWAY	8
OUTWARD OPENING GATE FOR SLOPING DRIVEWAY	9
GATE WITH WIDE OPENING ANGLE	9
ACCESSORIES THAT CAN BE ADDED	10
SAFETY PHOTOCELLS	10
DIGITAL KEYPAD, CARD ACCESS AND/OR INTERCOM	11
GROUND LOOP VEHICLE DETECTOR	11
CABLING REQUIREMENTS	12
BASIC CABLING GUIDE	12
FULL CABLING GUIDE	12
TYPE AND SIZE OF CABLE	13
HOW IT WORKS	14

8 STEPS TO INSTALLING THE SWG-24V-IND-S . 15

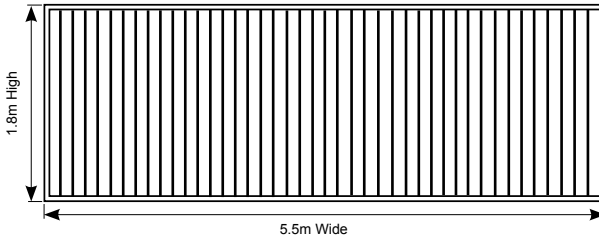
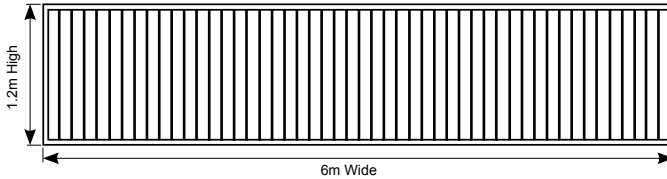
- STEP 1 - FIT THE OPERATOR TO THE GATE POST 15**
 - ALLOWING ENOUGH CLEARANCE BEHIND AN OPEN GATE 16
 - WIDE GATE POSTS 17
 - RISING GATES 17
 - OPENING ANGLE MORE THAN 90° 18
 - OUTWARD OPENING GATES 19
 - THE HEIGHT OF THE OPERATOR 20
 - FIXING THE OPERATORS MOUNTING PLATE TO THE POST 21
 - FIXING THE OPERATOR TO THE MOUNTING PLATE 22
 - MANUALLY RELEASE THE OPERATOR 22
- STEP 2 - FIT THE GATE MOUNTING BRACKET 23**
- STEP 3 - INSTALL CABLING 25**
 - TIPS FOR RUNNING LOW VOLTAGE CABLE YOURSELF 26
- STEP 4 - TERMINATE CABLING 26**
 - SWG-24V-IND-S GENERAL WIRING DIAGRAM 27
 - TERMINATING AN ELECTRIC LOCK 28
 - TERMINATING A 12VDC MAGNETIC CLAMP OR AC STRIKE LOCK 28
 - TERMINATING SAFETY PHOTOCELLS 29
 - TERMINATING A LIGHT 29
 - TERMINATING DIGITAL KEYPAD, CARD ACCESS OR KEY SWITCH 30
 - TERMINATING GROUND LOOP VEHICLE DETECTOR 30
 - TERMINATING A 7-DAY TIMER, DIGITAL KEYPAD OR KEYSWITCH 31
 - TERMINATING AN INTERCOM 31
 - TERMINATING SEPERATE OPEN, STOP AND CLOSE P/Bs 32
 - TERMINATING EMERGENCY STOP DEVICES 32
- STEP 5 - TUNE THE REMOTE CONTROLS IN 33**
 - REMOTE CONTROL OPEN, STOP AND MANUAL CLOSE 33
 - REMOTE CONTROL OPEN WITH AUTO-CLOSE 33
 - REMOVING REMOTE CONTROLS 34
 - REMOTE CONTROLLED PEDESTRIAN ENTRY 34
 - USER ADDING REMOTE CONTROL AT A LATER DATE 34
- STEP 6 - SET GATE OPEN AND CLOSE LIMITS 35**
 - SETTING THE LIMIT SWITCHES (IF USED) 35
 - USING HARDS STOPS ONLY 36
- STEP 7 - ACTIVATE AND TEST ACCESSORIES 37**
 - OTHER OPTIONS FOR CONTROL INPUTS 37
- STEP 8 - FINE TUNE GATE OPERATOR PREFERENCES 38**
 - CHANGING THE AUTO-CLOSE DELAY 38
 - CHANGING THE PHOTOCCELL-CLOSE DELAY 38
 - CHANGING THE PEDESTRIAN-CLOSE DELAY 39
 - CHANGING THE LOCK/LIGHT OUTPUT 39
 - CHANGING THE RAMP TIME FOR SOFT START AND SOFT STOP 40
 - CHANGING THE GATE OBSTRUCTION SENSITIVITY 40
- RETURN TO FACTORY SETTINGS 41
- RECOMMENDED MAINTENANCE SCHEDULE 42**
- MAINTENANCE CHECK LIST 43**
- MAINTENANCE HISTORY 43**
- ACCESSORIES AVAILABLE 44**
- TROUBLE SHOOTING 44**
- WARRANTY 45**

PRE-INSTALLATION CHECK LIST

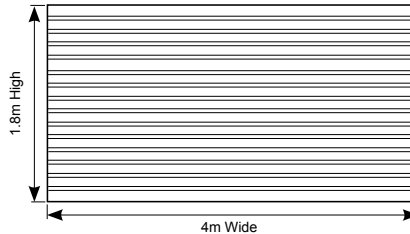
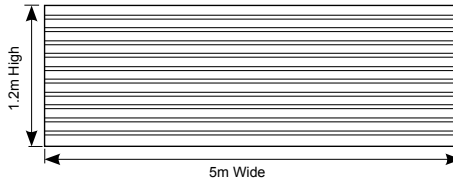
MAXIMUM SIZE OF GATE FOR THE SWG-24V-IND-S

If this Operator is installed on a gate that is too large it may not work properly. Gates that have filled in cladding are more prone to wind forces so cannot be as wide.

Open Bar Aluminium, Galvanised Steel and Farm Gates:



Solid Timber Gates, Gates with sheet metal cladding and Chain Link Gates in areas with light to moderate wind:

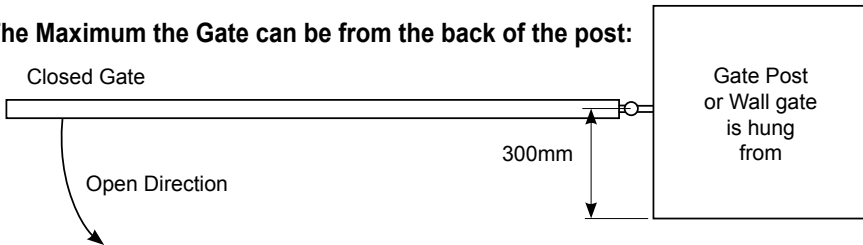


Note: Outward opening gates run twice as fast so the relative gates size is 3/4 that of an inward opening gate.

WILL THE OPERATOR FIT ON YOUR GATE?

The SWG-24V-IND-S swing gate operator can be fitted within the following:

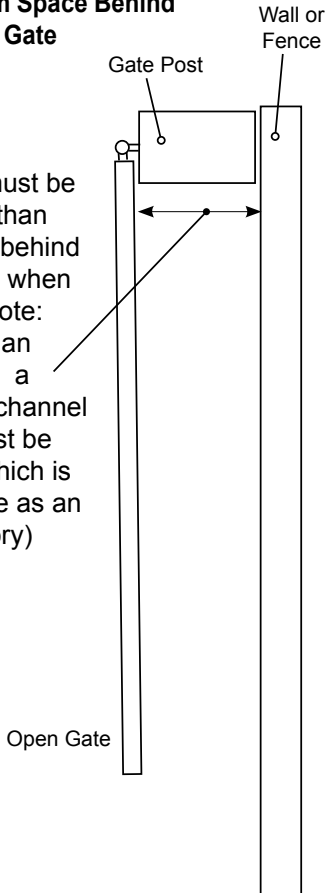
The Maximum the Gate can be from the back of the post:



An extra long arm is available as an accessory to allow the operator to be set back further than 300mm from the gate if necessary.

Minimum Space Behind an open Gate

There must be no less than 250mm behind the gate when open (Note: if less than 600mm a special channel arm must be used, which is available as an accessory)



Gates that are set higher off the ground to clear a sloping driveway

The SWG-24V-IND-S can be used on a gate set as high off the ground as you like as single gates stop against a receiving post.

Gates that use a rising hinge to clear a sloping driveway

The SWG-24V-IND-S can be installed on a rising gate so long as the gate is less than 50kg and the gate doesn't rise more than 250mm for a 4m wide gate.

Gates that are outward opening.

The SWG-24V-IND-S can be installed on an outward opening gate but the gate will open twice as fast so can only be 3/4 the width of an inward opening gate.

Maximum Gate Opening Angle is 120°

The SWG-24V-IND-S can be installed on gates with an opening angle up to 120° but does not hold the gate as well as 90° when closed so an electric lock is recommended.

GATE OPERATOR FREQUENCY OF USE

This Gate Operator is rated for **INDUSTRIAL** use, which is any Housing Estates, Commercial or Industrial Building Car Parks or Entry ways that have anything up to continuous use.

Gate Open During Power Failure System

This operator runs off a 24V 7Ah battery and uses a Power drop out relay so if the power fails the gate will open and remain open until the power is restored. With a full set of accessories and a magnetic clamp connected the battery will last up to 10 hours and still operate normally when power restored. If power is likely to off for longer than 10 hours then a larger battery may be installed. Adding a second set of 7Ah batteries will give 35hours standby time and adding a 26Ah battery will give up 100 hours standby time.

Gate Continues to Operate During Power Failure System

The standard battery will give up to 6 hours continuous operation at 60 operations per hour for an averaged sized gate, less for a heavier gate. If a 26Ah battery is added this will be extended this to 16 hours or a 65Ah Battery will extend this to 36hours.

If the battery is allowed to run flat then once power is restored the operator will work normally straight away and charge the battery automatically, but the battery will require some time to charge fully.

Solar Powered Systems

Are generally not recommended for Industrial Gate Operators because the accessories draw a lot more power than a residential operator.

If mains power is out of the question then a suitable solar system will need to be engineered specifically for the climate and usage for Industrial Gate Operators. Wind turbines are also a good alternate to Solar in some area's. Contact your local dealer for more information.

ENVIRONMENT SUITABLE FOR OPERATOR

The SWG-24V-IND-S is suitable for outdoor use so long as it is NOT exposed for long periods to salty air or other corrosive substance that may cause premature deterioration of components of the gate, gate operator or accessories that may be connected to the operator.

IMPORTANT SAFETY INSTRUCTIONS!

CONSIDERING THE GENERAL PUBLIC:

When Installing an Automatic Gate that will be entered from a public road way, make sure the Gate is placed far enough from the road to prevent traffic congestion.

The Gate must be installed in a location that provides adequate clearance between it and adjacent structures when opening and closing to reduce risk of entrapment. **Swing gates must not open into public access areas!**

Install the Gate Operator on the inside of the property and fence line. **DO NOT** install an opener on the outside of the gate where the public has access to it.

The Gate and Gate Operator must comply with any applicable local council regulations.

CONSIDERING THE USERS:

Industrial Gate Operators must use Point to Point Safety Photocells to help prevent the gate closing on any vehicle using the gate.

It is also recommended that a separate small side gate is used for pedestrians particularly if there will be children, disabled or elderly people using the gate.

If push buttons, key switches or Digital Keypads are installed, they should be within sight of the gate but not placed so the user will be tempted to reach through the gate to activate the gate operator.

USER AWARENESS:

It is important to make sure everyone that will be using the gate is aware of the following dangers associated with automatic Gates: do not contact any part of the gate or walk in the path of the gate while it is moving. Never let children play with the gate controls. Do not attempt to "beat the gate" while it is closing. This is extremely dangerous.

In the event you sell the property, make sure the new owners have a copy of these instructions. If you lose the instructions they can be downloaded from: www.grantsautomation.com.au.

TOOLS AND HARDWARE REQUIRED

THE TOOLS YOU'LL NEED INCLUDE:

A basic set of hand tools will be required including: side cutters, pliers, wire strippers, a range of phillips head screw drivers, a small flat head screw driver for terminal block screws, a Socket Set or Shifting Spanner.

You'll also need a tape measure, marking pen, an electric drill with hammer action and variable speed control and a selection of drills bits.

If you're going to be doing your own low voltage cabling a pair of conduit cutters are handy although a hacksaw can also be used. If you wish to chase cabling across the driveway you will need either a 230mm angle grinder with masonry grinding disc or a hand held concrete cutter. You can hire these if necessary. If you'll be running cabling across a lawn or garden you'll need a spade and mattock for digging a low trench. If it's a long run then a small powered trench digger can be hired to do the job.

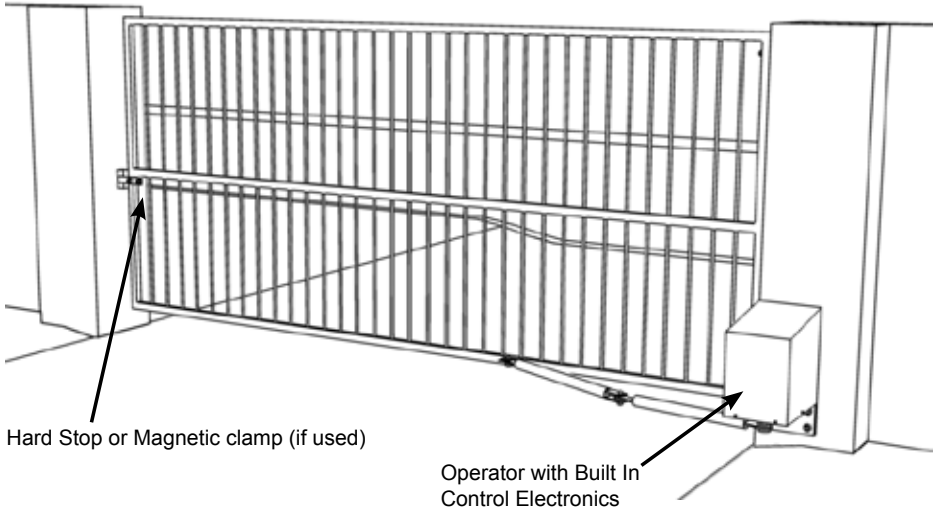
YOU MAY ALSO NEED THESE ITEMS BEFORE INSTALLATION

For systems with accessories **Low Voltage Cable is required** see "Cabling Requirements" for more information.

You may also need conduit, which is available from Electrical trade suppliers and hardware stores.

For Mains Powered Systems you will require power cable installed to the Hinge side of the gate only. Check with local regulations before installing a mains cable yourself, you may need a registered electrician to do this for you.

PREPARING THE GATE



Make sure that the gate has been properly installed and swings freely in both directions. Repair or replace all worn or damaged gate hardware prior to installation. Gate posts less than 150mm wide should be made from steel not timber. Replace posts where necessary. A freely moving gate will require less force to operate and will enhance the performance of the operator and give a long working life.

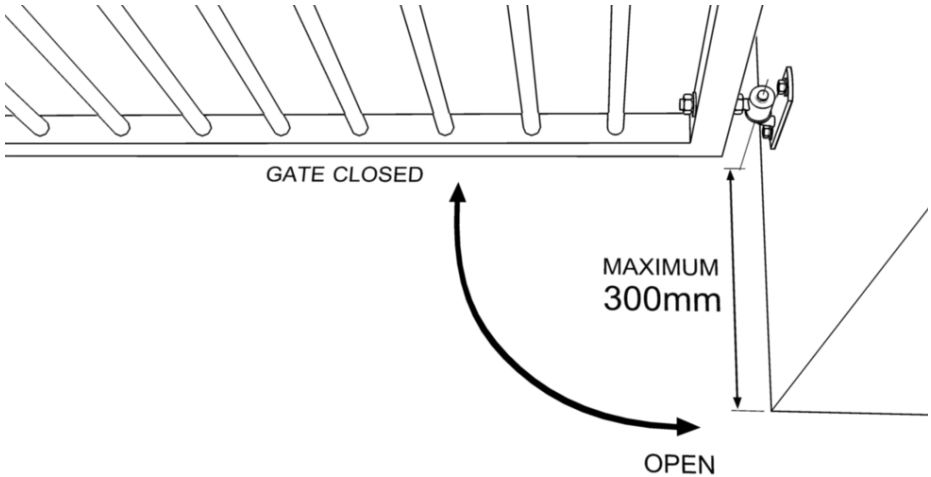
The Gate **MUST** be plumb, level and swing freely on its hinges (with the exception of rising gates that are not plumb). **WHEELS MUST NOT BE ATTACHED TO SUPPORT THE WEIGHT OF THE GATE.** The gate must move throughout its arc without binding or dragging on the ground. *Note: gates over 100kg should have ball bearing hinges with grease fittings.*

Gate posts must be secured into the ground with concrete so to minimize twist or flex when the operator is activated.

Brick or concrete block posts should have a solid concrete footing, be core filled with concrete and should have steel reinforcing tying the concrete footing with the core filling.

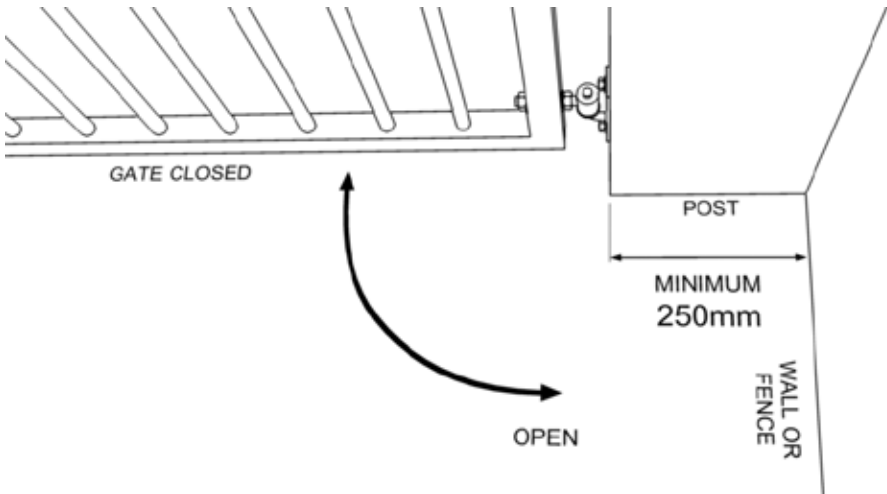
The Gate Operator holds the gate firmly when closed but a magnetic clamp is recommended for gates with a lot of flex wider than 2m or rigid framed gates wider than 3m.

GATE POSITION ON POST



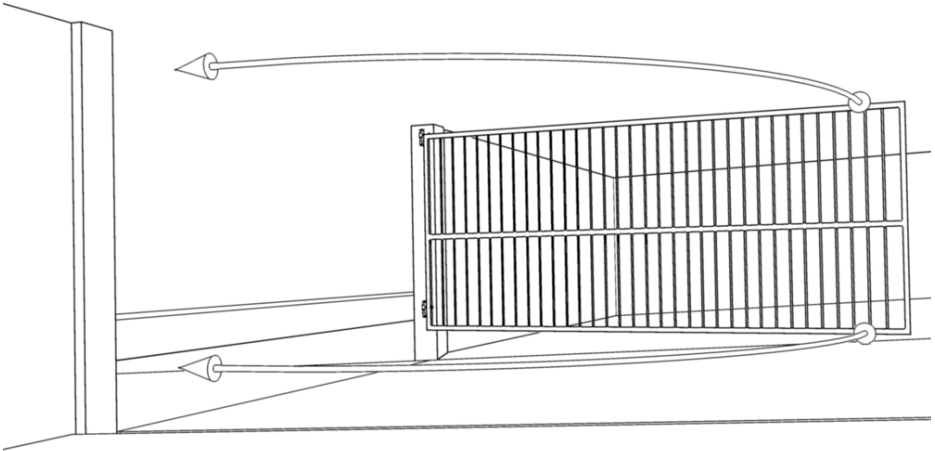
The Gate must be no more than 300mm from the back of the post unless an extra long arm is used, which is available as an accessory.

GATES THAT OPEN UP AGAINST A FENCE OR WALL



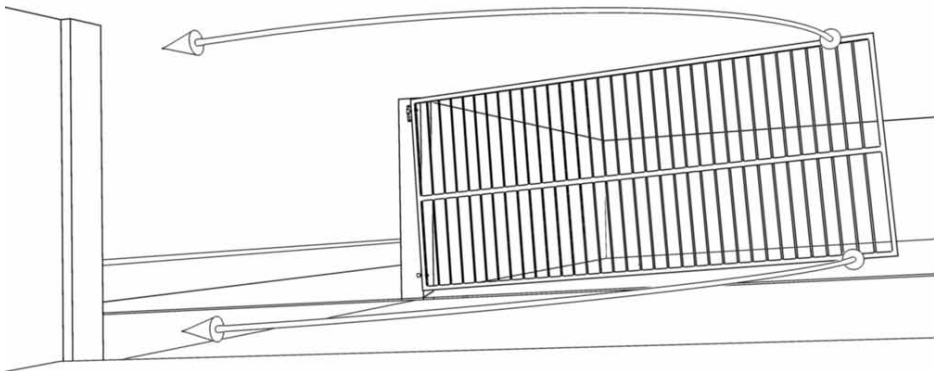
There must be at least 250mm behind the gate if it opens up against a fence or wall. If less than 600mm a special channel bracket is required, which is available as an accessory.

LIFTING GATE FOR SLOPING DRIVEWAY



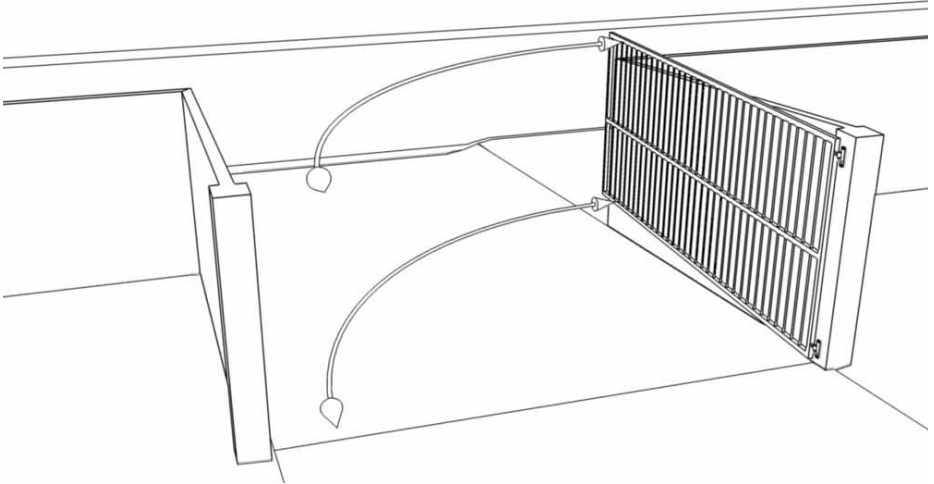
For driveways that slope up as you drive in the gate can be lifted so it clears the ground when it opens. The steeper the driveway the larger the gap under the gate when it is closed.

RISING GATE FOR SLOPING DRIVEWAY



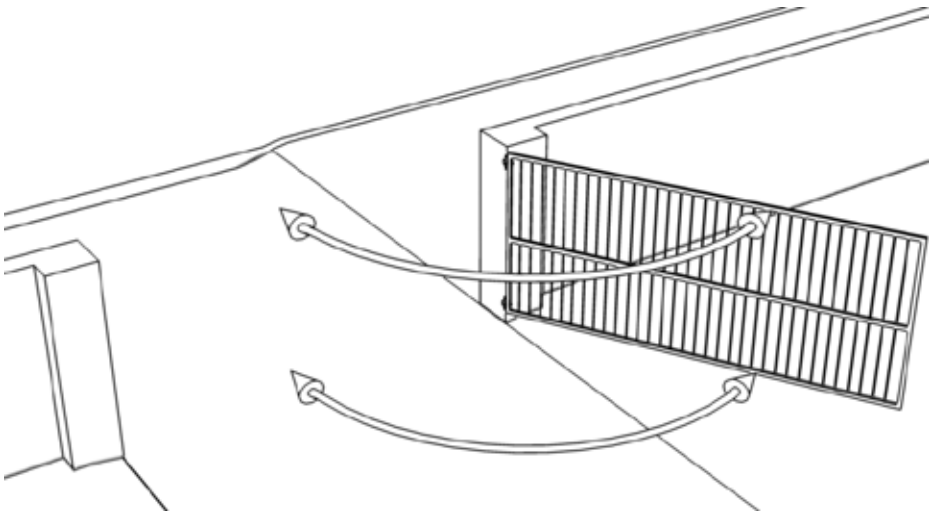
For driveways that slope up as you drive in the gate can have rising hinges fitted. The steeper the driveway the more the gate must rise. The SWG-24V-IND-S will only handle a rise of 250mm over 4m with a 50kg gate leaf per side.

OUTWARD OPENING GATE FOR SLOPING DRIVEWAY



For driveways that slope up as you drive in the gate can be made to swing outwards but the gate should be set back so it doesn't open out onto the street. The automatic operator should be installed inside of the gate so it won't be tampered with and requires a special outward swinging arm.

GATE WITH WIDE OPENING ANGLE

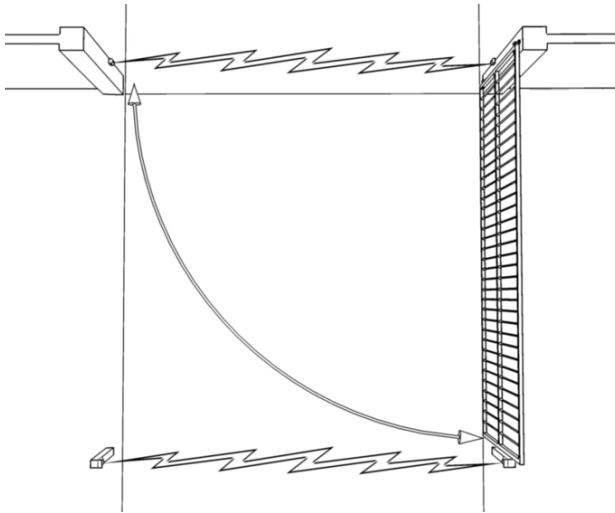


Gates opening up to 120° can be automated but the size of the gate reduces as the opening angle increases, should also have a magnetic clamp fitted.

ACCESSORIES THAT CAN BE ADDED

SAFETY PHOTOCELLS

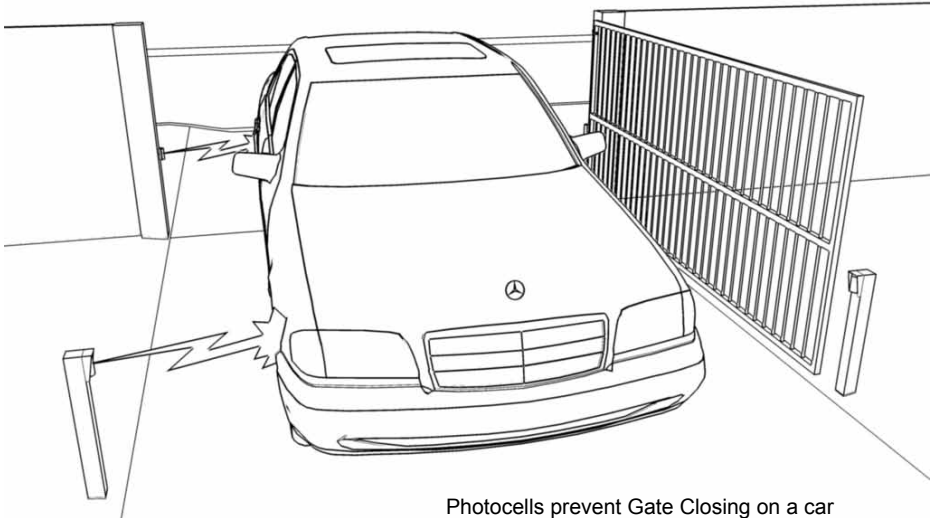
Photocells are a safety device that prevent the gate from closing on a vehicle. They are **COMPULSARY WITH INDUSTRIAL GATES**



A Photocell consists of a point to point Invisible Infrared Beam of Light Transmitted from one side of a gate to the other. A vehicle travelling through the gate will break the beam.

**R E F L E C T O R
T Y P E S A R E N O T
R E C O M M E N D E D
O U T D O O R S !**

With swing gates two sets or more Photocells are necessary to get full coverage.

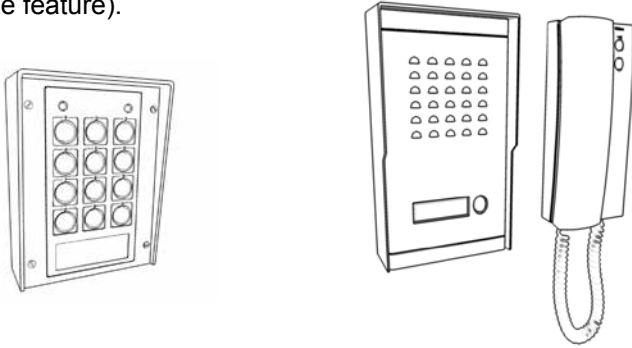


Photocells prevent Gate Closing on a car

If either Photocells beam is broken by a vehicle, the gate won't close, until the vehicle has passed and beam is remade. The Photocell can also be used to control the closing of the gate.

DIGITAL KEYPAD, CARD ACCESS AND/OR INTERCOM

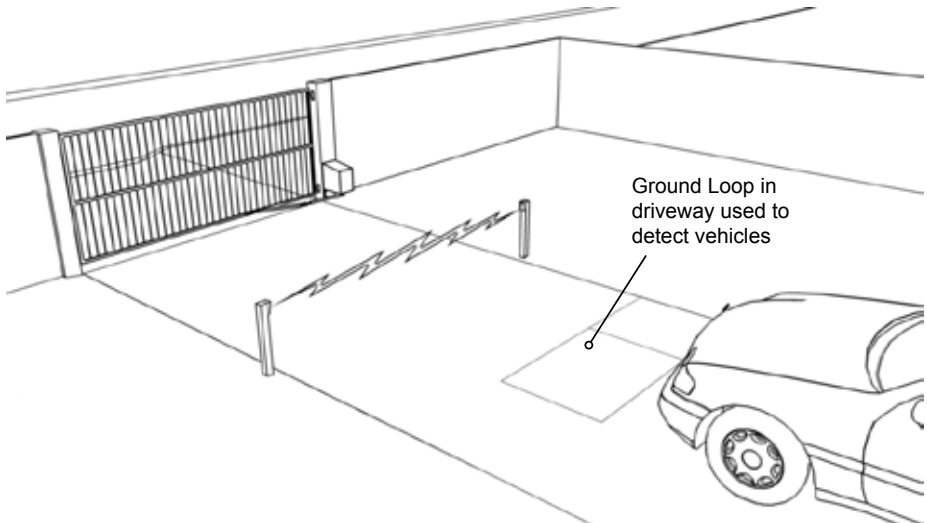
To allow access to visitors or tradesman any brand of digital keypad, Card Access system and/or intercom can be installed (provided the intercom has a door release feature).



A Digital Keypad or Proximity Card System allows access to anyone with the correct pin number or card.

An Intercom allows visitors to call the house and speak with the occupier. If the occupier wishes to let the visitor in they can press a button on the intercom inside to open the gate.

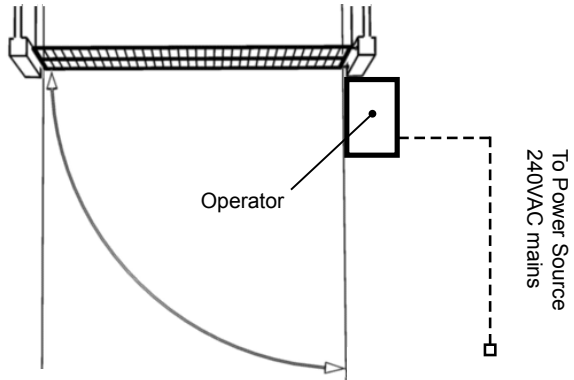
GROUND LOOP VEHICLE DETECTOR



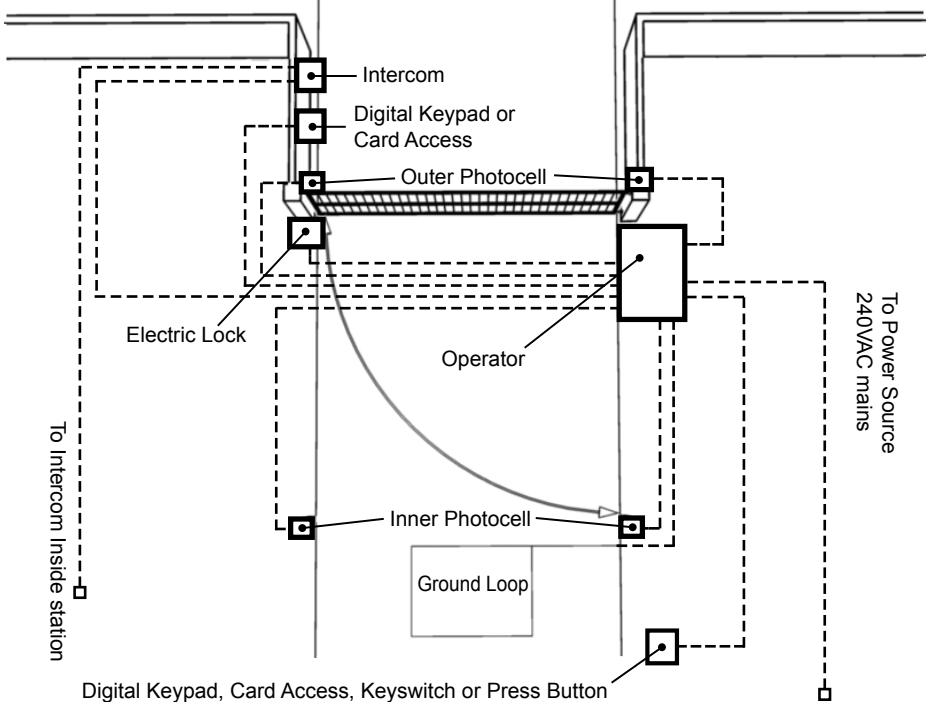
A ground loop in the driveway detects any vehicles approaching the gate and opens it automatically to let them out. Pedestrians cannot use the ground loop to open the gate, which is a safe guard from anyone jumping the fence.

CABLING REQUIREMENTS

BASIC CABLING GUIDE



FULL CABLING GUIDE



For a gate swung from the left side the Operator and Power cable will be on the opposite side. Cable for the electric lock may run in the gate frame. The 240VAC Mains should be kept at least 100mm away from any low voltage cabling.

TYPE AND SIZE OF CABLE

Power is supplied from a 240VAC source hard wired to the operator. Check with local regulations before installing any mains voltage wiring yourself, you may need a registered electrician to do this for you. ***DO NOT pull the charge unit out and run the the 24VDC charge voltage to the gate from any distance as the voltage drop will prevent batteries charging properly!***

For low voltage cabling the following cable size and type is recommended:

For Accessories

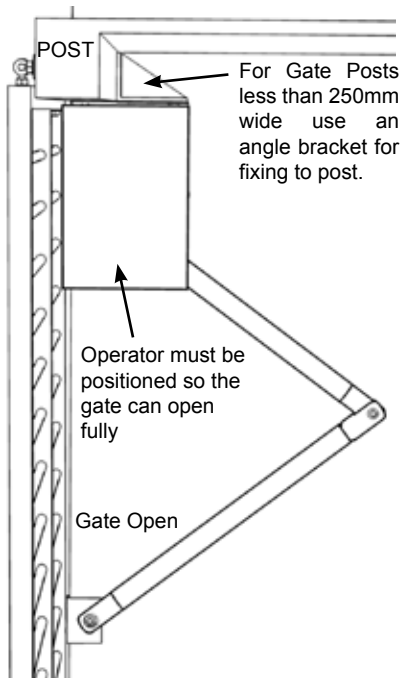
0.4mm Diameter (0.12mm²) or 0.65mm Diameter (0.33mm²) Outdoor telephone cable is ideal for Connecting Photocells, Digital Keypads and Intercoms as this cable has a tough outer sheath and is gel filled to protect it from moisture. Cat 5e and indoor phone cable is fine to use so long as it isn't exposed to moisture for prolonged periods. If using security cable this must be a conduit that is fully sealed to prevent any exposure to moisture.

For an Electric Lock

If the lock is on the gate then use a flexible cable such as Figure 8 (Turrup, Speaker or Audio cable) or Mains Flex. DO NOT use automotive cable or solid cored cable such as telephone cable or TPS as this will eventually break. If the Lock is on the post and the cable must go in the ground then use either automotive cable, TPS or 0.65mm Dia outdoor telephone cable with the pairs doubled up.

8 STEPS TO INSTALLING THE SWG-24V-IND-S

STEP 1 - FIT THE OPERATOR TO THE GATE POST

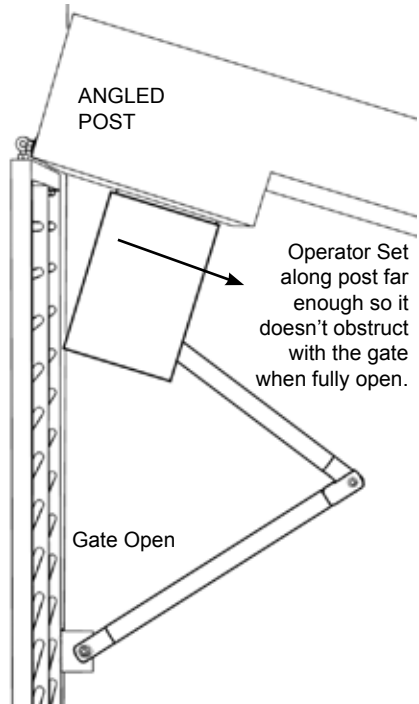


The Gate Operator must be fitted securely to the gate post so it doesn't work loose over time.

If the post is less than 250mm wide then an angle bracket is required to enable secure fixing.

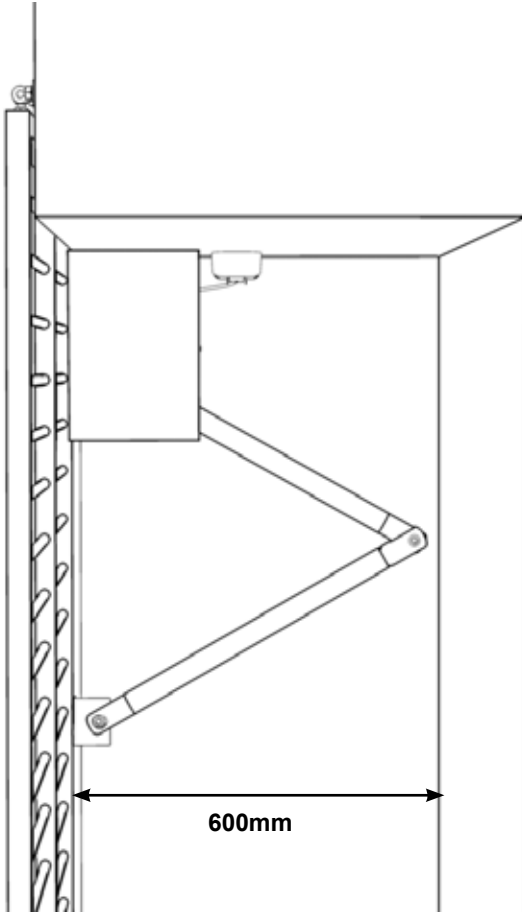
Each Operator must be set far enough along a post to allow the gate to open fully.

If the post is angled - particular care must be taken with the positioning of the operator so it doesn't obstruct with the gate when open or too far.

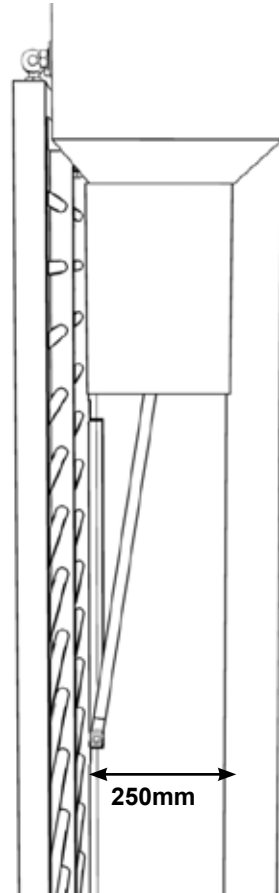


ALLOWING ENOUGH CLEARANCE BEHIND AN OPEN GATE

Using the Standard Arm a minimum clearance of 600mm is required behind a gate that opens up against a fence or wall.

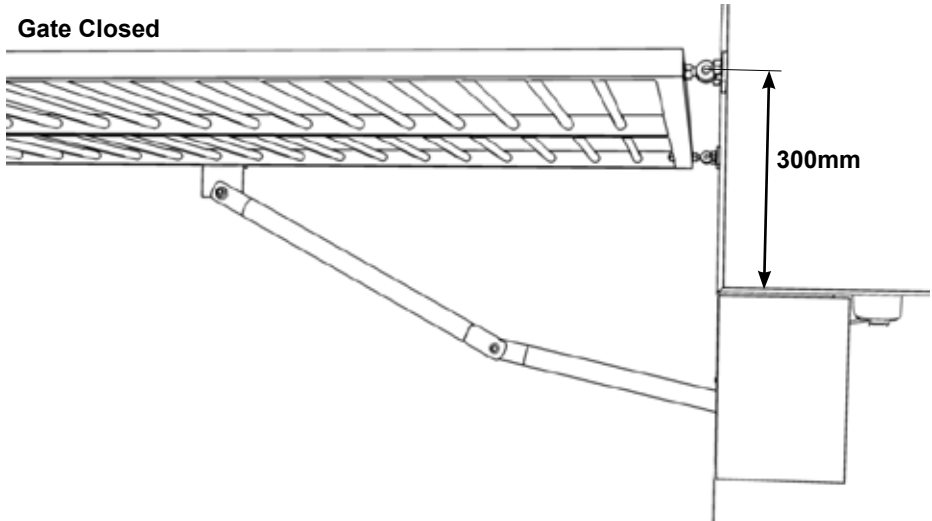


For a clearance less than 600mm a special channel arm is available that is suitable for clearances down to 250mm (width of the operator).



WIDE GATE POSTS

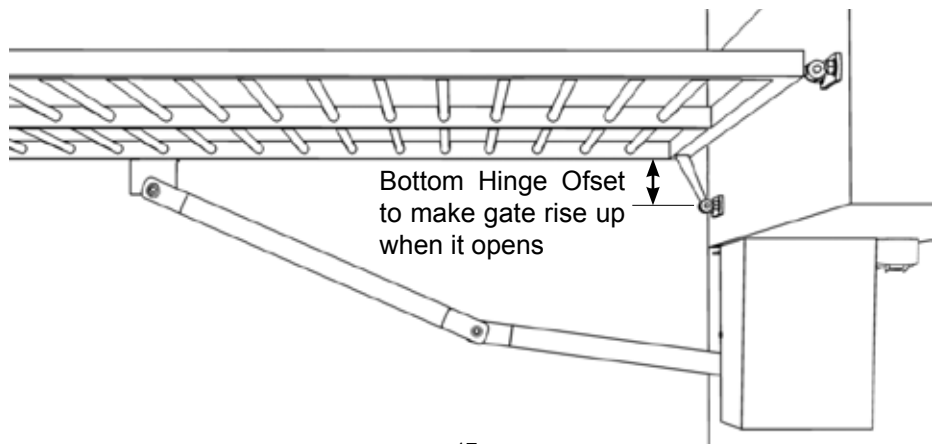
Gate Closed



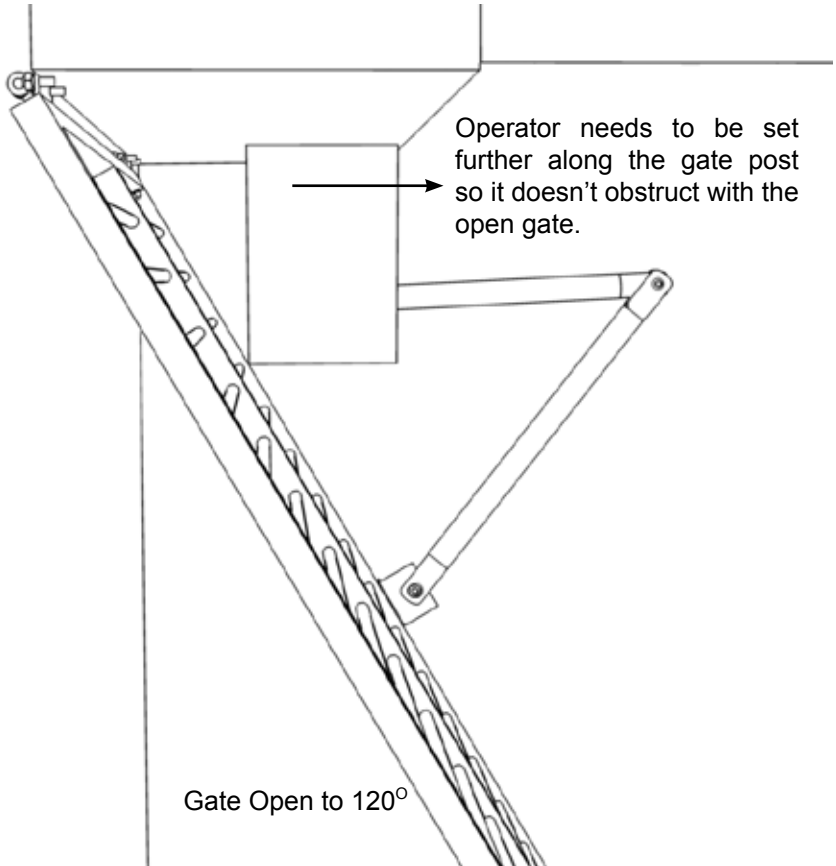
Using the Standard Arm the gate must be within 300mm from the back of the Post. An extra long arm is available as an accessory to allow fitting of the operator further back.

RISING GATES

A rising gate has the bottom hinge offset so the gate will rise in the air as it opens to allow for a sloping driveway. The automatic gate Operator is required to lift some of the gates weight which limits the size of the gate. The articulated arm and conected arm to the gate allow some movement for a 4m wide gate to rise 250mm but the operator must be fitted on a slight angle to also allow this to be possible.



OPENING ANGLE MORE THAN 90°

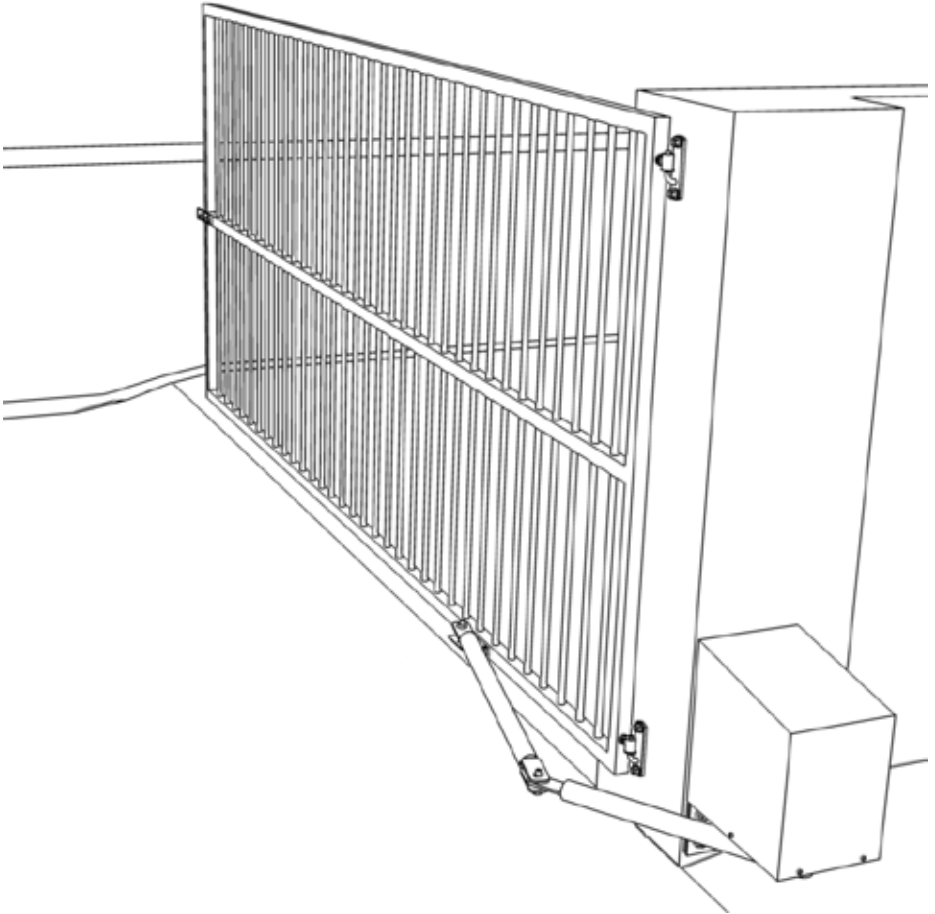


For wider opening angles the operator needs to be set further along the gate post to prevent it obstructing with the gate when open. The maximum opening angle is 120°.

Note: Opening Angles wider than 110° are not recommended for Fully Clad Gates as the wider the opening angle the less torque the motor can apply to the gate.

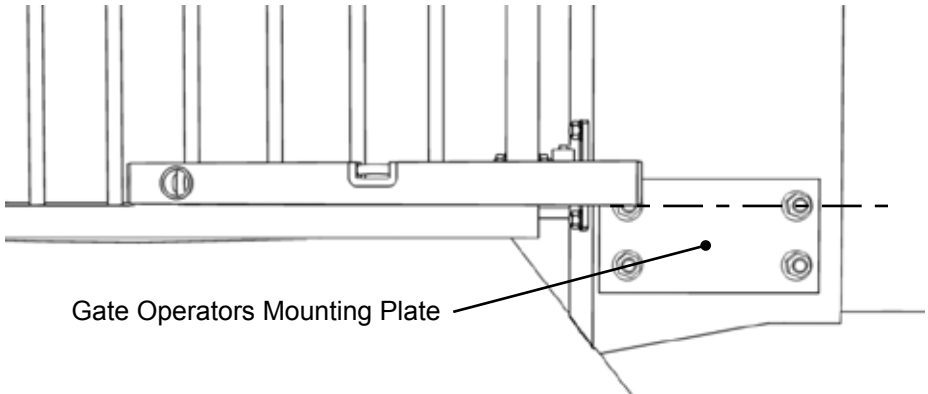
OUTWARD OPENING GATES

An Outward Opening Gate is one that opens out towards the road with the Gate Operator inside the property, so instead of pulling the gate open the actuator pushes it open. The Operator is fitted the same but the articulated arm rotates in the opposite direction and does run twice as fast so maximum gate size is reduced by to $\frac{3}{4}$ to that of an inward opening gate.



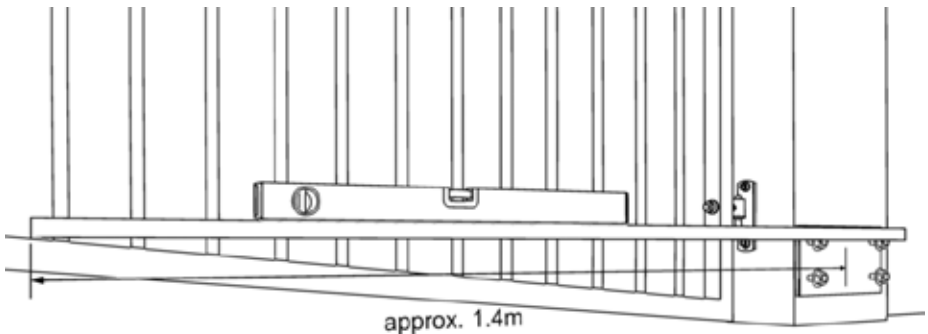
As an alternate the Operator may be fitted to the outside of the gate so it works exactly the same as an inward opening gate but opening outwards.

THE HEIGHT OF THE OPERATOR



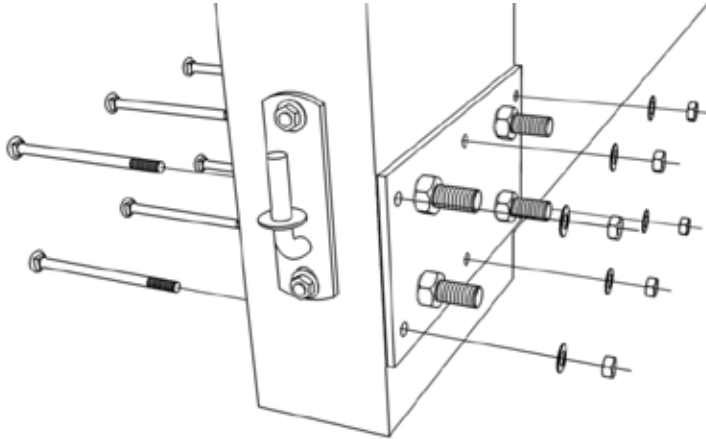
The Operator may connect to any strong horizontal rail of the gate. If on the middle rail the gate will twist less if someone attempts to force it open although an operator looks best on the bottom rail and sometimes will not fit on the top.

Use a spirit level to run a line from the centre of the gate rail across to the the top two mounting holes of the operators mounting plate.

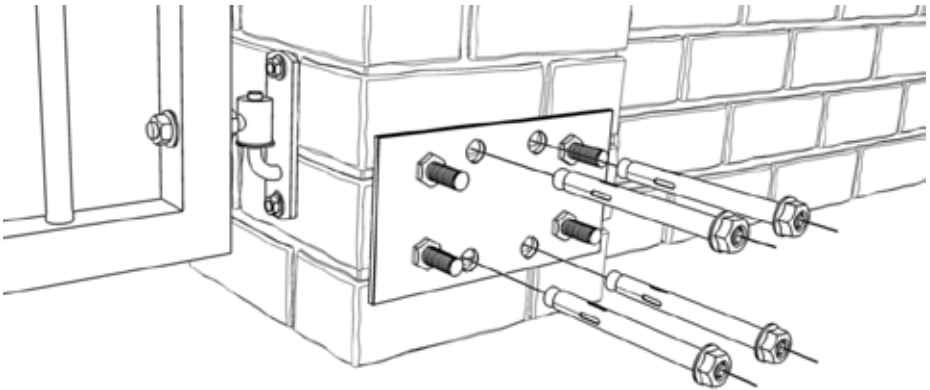


If either gate leaf rail is not square because of the slope of the driveway, then you will need to find the approximate position on the gate where the 'Gate Mounting Bracket' will fit, then use a straight edge and level or laser level to run your line from there. To find the approximate position of the 'Gate Mounting Bracket' measure 1.4m for inward opening gates or 700mm for outward opening gates from the centre of the operators mounting plate.

FIXING THE OPERATORS MOUNTING PLATE TO THE POST.



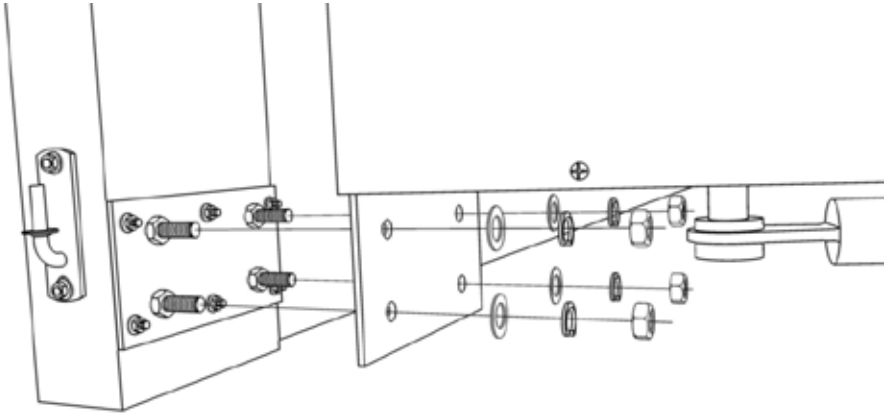
To fix the Mounting Plate to Narrow Timber or Metal Posts it's best to bolt right through the post for the strongest holding. Posts less than 250mm wide will need extra strengthening. The Mounting Plate can be welded to Steel Posts only and extra strengthening welded too if necessary.



For Core filled Brick or Concrete block posts M16 x 150mm Dyna Bolts, Coach Screws + Wall Plugs or Chemset fastenings should be used.

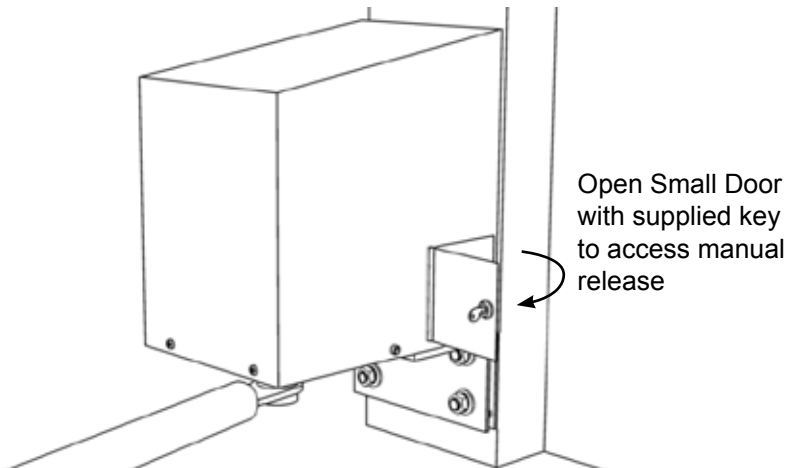
Brick posts must be core filled with concrete and the Operator **MUST** be fixed to the concrete core filling NOT the brick. Brick doesn't have the physical strength required by the operator. Bricks are normally 90mm wide so 150mm long Coach Screws, Dyna Bolts or Chemset fastenings will be needed to reach the core filling. If not they'll more than likely pull out.

FIXING THE OPERATOR TO THE MOUNTING PLATE.



Lift the Operator in Place and fix it to the Mounting Plate using the supplied Nuts and Washers. If not using the Mounting Plate use spacers to ensure the cover has adequate clearance from the post.

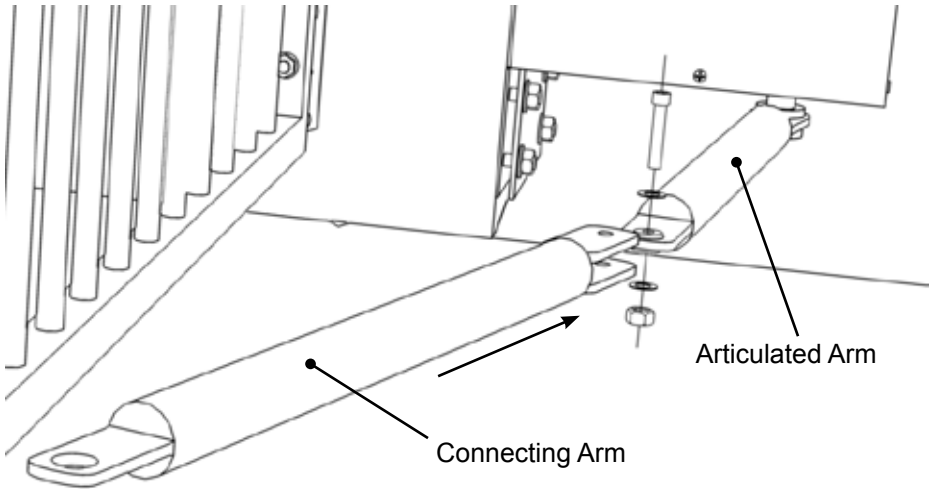
MANUALLY RELEASE THE OPERATOR



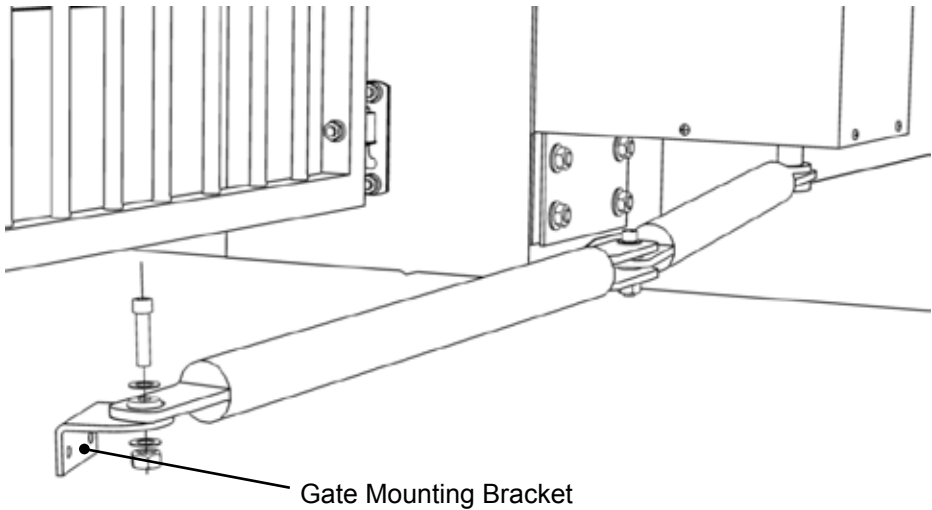
Using the supplied key the small door on the side of the operator can be open for access to the manual release. Reach inside and turn the knurled knob inside anti-clock wise to manually release the operator. To re-engage turn the knob clockwise.

STEP 2 - FIT THE GATE MOUNTING BRACKET.

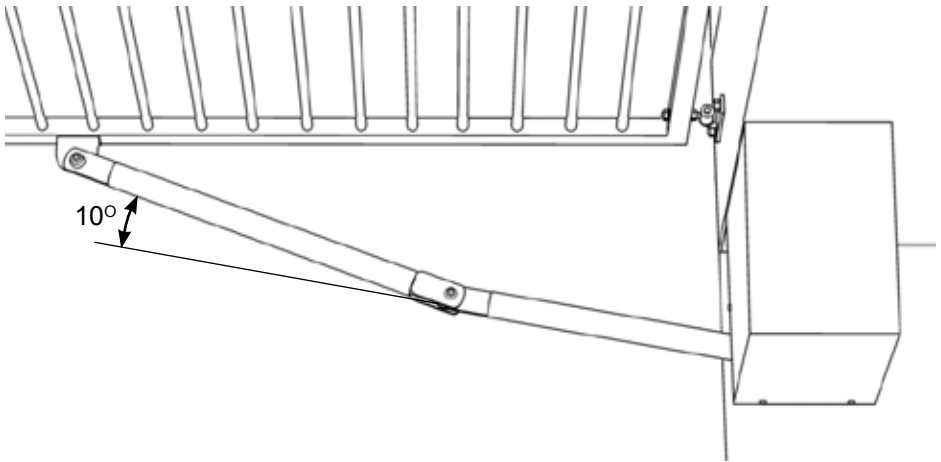
Fit the connecting arm to the articulated arm with the brass self aligning bushing inserted in place first then the connecting arm slipped over this secured them in place with the cap screw, washers and nylock nut.



Repeat the same to fit the Gate Mounting Bracket to the connecting arm.

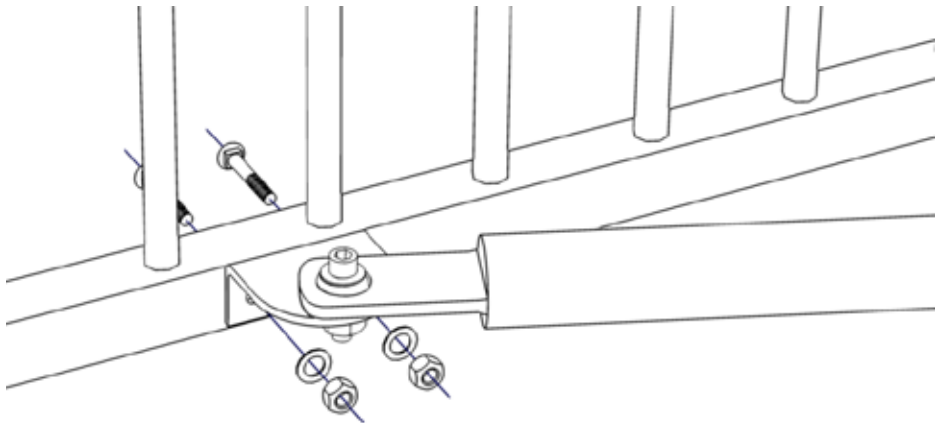


Now with the gate held in the closed position set the connecting arm 10° off square with the articulated arm to find the position of the Gate Mounting Bracket on the gate. Mark the mounting hole centres.



IF YOU WISH TO USE A CLOSE STOP make the angle 20° to allow for any flexing of the gate and preventing the arm from 'crossing over'.

Use the supplied cup head bolts to fix the Gate Mounting Bracket to the gate. Do not use self drilling screws from the inside as these can pull out. Using bolts right through the gate frame is the strongest.

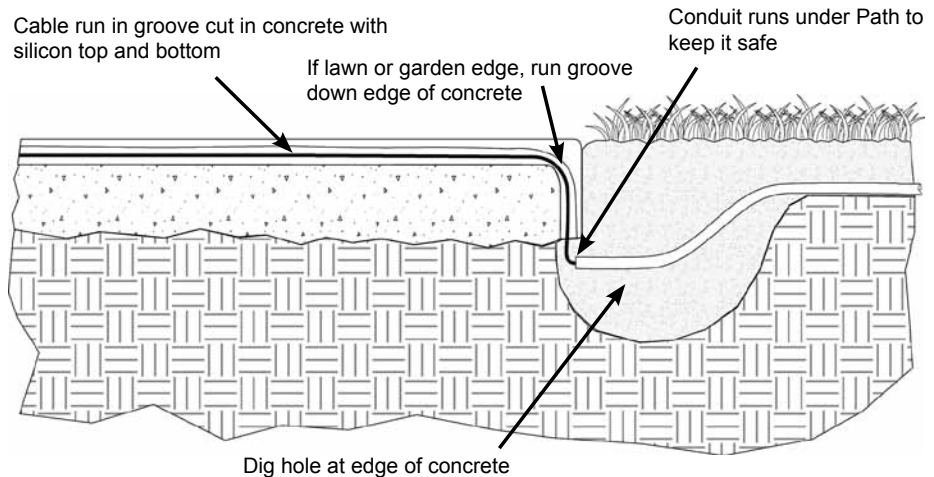


STEP 3 - INSTALL CABLING

Check with local regulations before installing any mains voltage cabling yourself, you may need a registered electrician to do this for you. Normally any cable for voltage lower than 32VAC or 50VDC you can do your self without a license.

If you need to run Low Voltage Cable across a concrete or bitumen driveway or path and you don't want to cut a large groove you can chase a much smaller groove using a 9" angle grinder with a masonry grinding disc (not a cutting disc). Make it deep enough so there is 5mm or so space above the cable when installed. Use an expansion gap where possible as this requires less work. Make sure the cable will not be pinched if between two slabs of concrete that can shift with ground movement.

Fix the cable into the groove using clear plumbers silicon (non acidic) or other flexible sealer in the clean groove before the cable and again after, making sure it sticks to both sides of the groove. If the path or driveway has lawn or garden edges make sure the cable isn't exposed or accessable to edge trimmers or spades by running the groove down the edge and into conduit just under the edge of the driveway. You'll need to dig a hole next to the driveway to do this.



If the driveway meets a post and you need to go around it then chase a groove where you can with the angle grinder then use a rotary hammer drill as a mini jack hammer for the corners and fiddly bits.

TIPS FOR RUNNING LOW VOLTAGE CABLE YOURSELF.

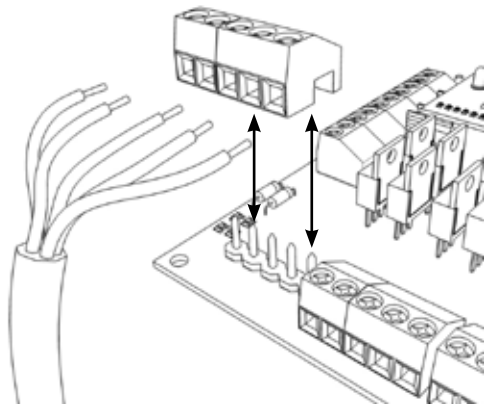
- ⚡ Always use conduit if running cable in grass, open ground, gardens or pebbles.
- ⚡ Conduit should be buried deep enough so it is out of harms way. For existing lawns, pebbled areas or if run along side a driveway then buried just below the surface is fine. For open ground, gardens and area's where there is likely to be other digging going on then conduit should be buried at least 300mm deep.
- ⚡ Never make joints in cable directly in the ground. If you must join cable, either bring it up well above the ground and have the joint protected from the elements by a weather proof junction box or put a pit in the ground to make sure the joint is sitting in the air within the pit and cannot be submerged in water.

STEP 4 - TERMINATE CABLING

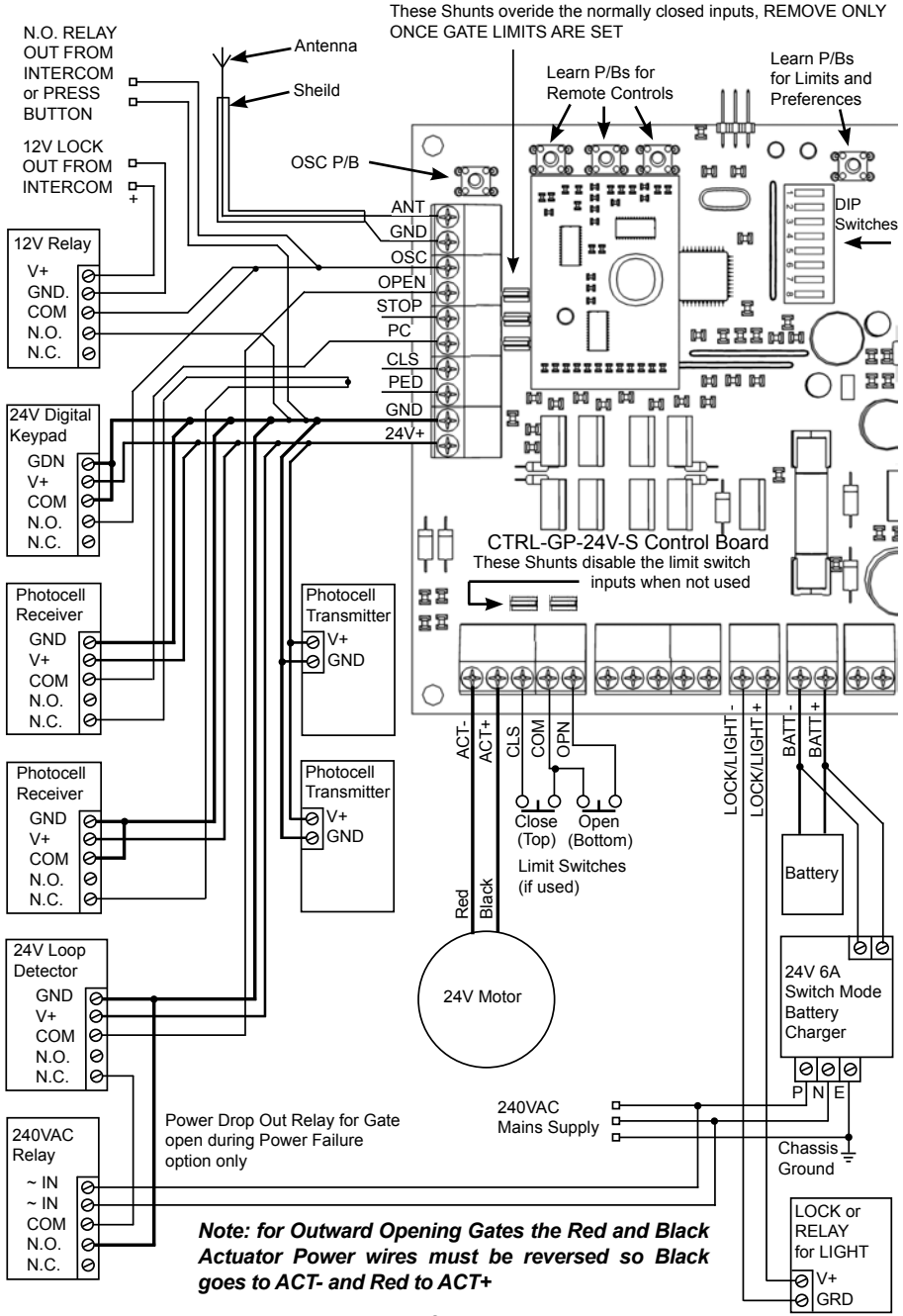
This operator requires a 240VAC single phase power supply that charges a battery at high current so is suitable for continuous use. The 240V mains supply must be hard wired so power isn't turned off by passes by running the battery flat. A key locked isolating switch may be used for authorised personal to turn the power off. Terminals for the mains power supply are found inside the operator along with the control board where all accessories connected..

The terminal blocks on the control board unplug to allow easier and better connections.

Make sure all strands of the wire are tightly held by the terminal block. Stray strands can cause a short circuit.



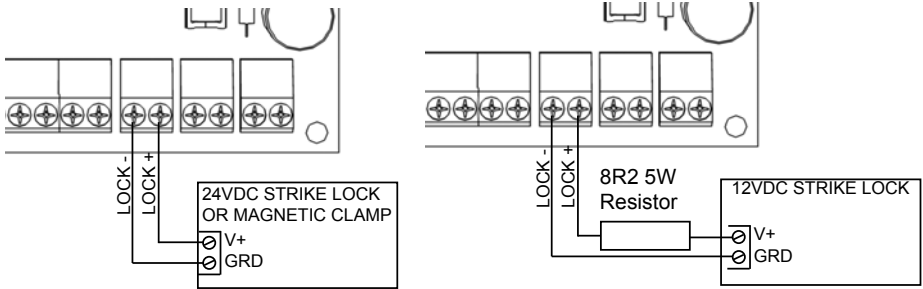
SWG-24V-IND-S GENERAL WIRING DIAGRAM



TERMINATING AN ELECTRIC LOCK

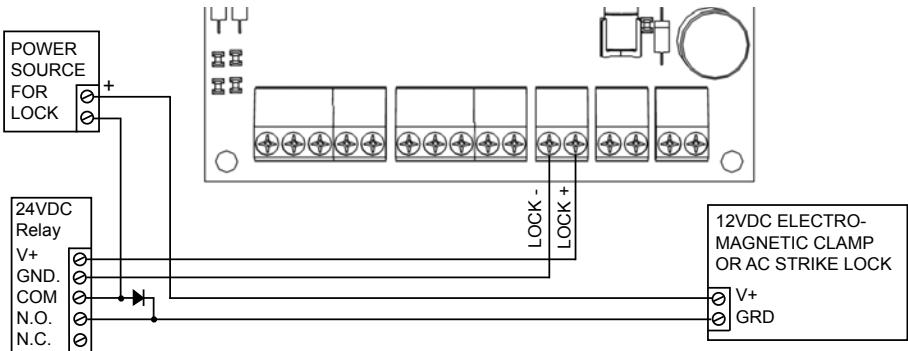
If fitting a 24VDC Electric Strike Lock or an Electromagnetic Clamp they can be connected directly to the Control Board. If fitting a 12V Strike lock a resistor must be used. **The factory setting for the LOCK/LIGHT output is for an electric strike lock.** See “Setting up the LOCK/LIGHT output” section for information on how to change this for an electromagnet clamp.

Bottom Right of control board



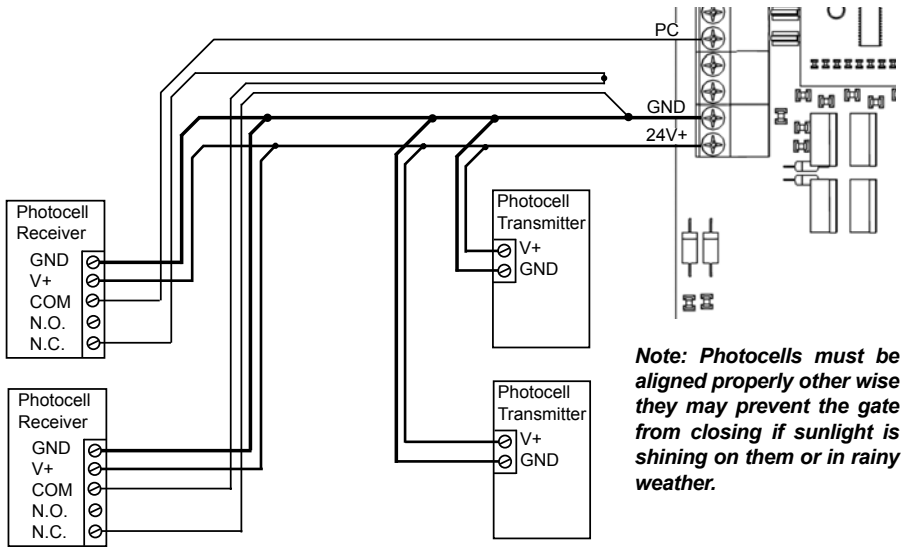
TERMINATING A 12VDC MAGNETIC CLAMP OR AC STRIKE LOCK

If using a 12VDC electromagnetic clamp or an AC strike lock, there isn't a suitable source of power from the control board so you will need to use a separate supply and a relay to get this to work. 2A 24VDC relays are available as an accessory. A diode should be used with DC locks or a surge protector for AC locks. These are usually supplied with the lock.



TERMINATING SAFETY PHOTOCELLS

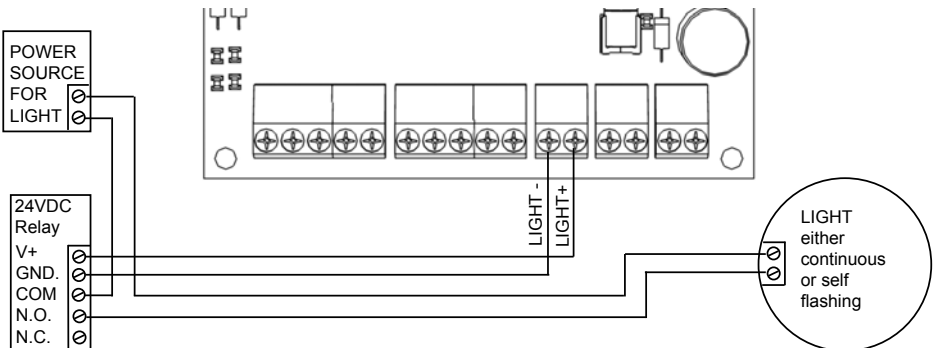
Safety Photocells use a normally closed connection to the control board. If either photocell light beam is broken by a vehicle while the gate is closing it will be reversed back open again. The gate will not close until the both photocell light beams are remade and vehicle is clear. If photocell closing delay option is activated (DIP 3 ON) the gate will begin to close after the photocell close delay



Note: Photocells must be aligned properly otherwise they may prevent the gate from closing if sunlight is shining on them or in rainy weather.

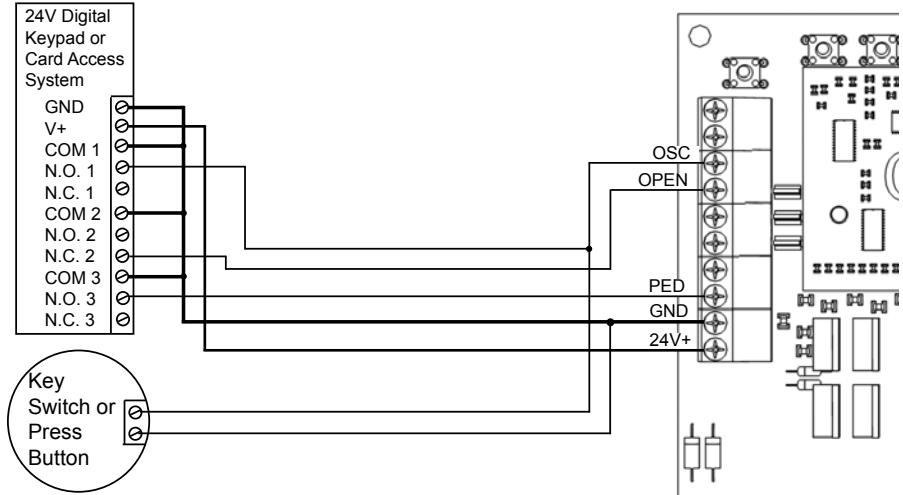
TERMINATING A LIGHT

By connecting a 24VDC relay to the gate operator it can also activate lights for 1 or 4 minutes when ever the gate is opened. See "Changing the LOCK/LIGHT output" section in Step 8 for information on how to change this.



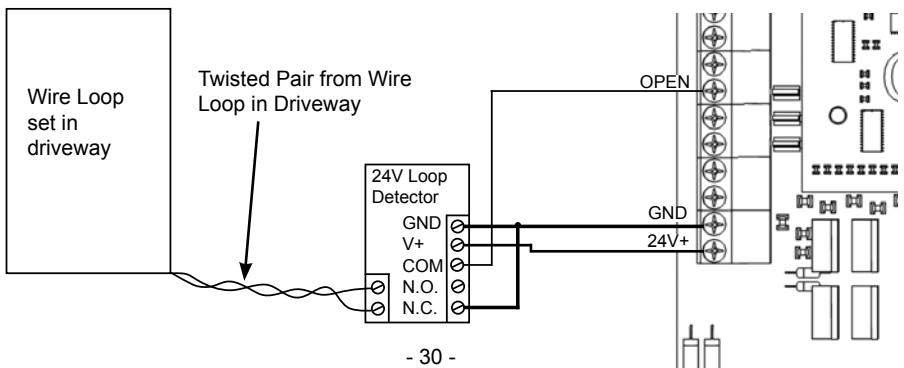
TERMINATING DIGITAL KEYPAD, CARD ACCESS, KEY SWITCH OR PRESS BUTTON

A Digital Keypad, Card Access System, Key switch, Press Button or any other clean contact normally Open (NO) device can be used to activate the gate. If a Digital keypad has two or more relay outputs, then these can be used for different operational functions such as open with manual close, open with auto-close or Pedestrian only access with auto-close.



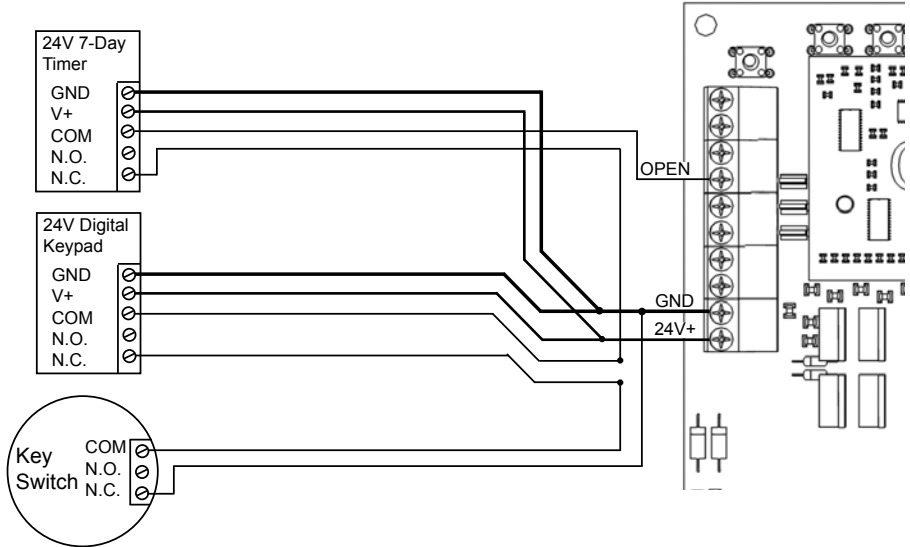
TERMINATING GROUND LOOP VEHICLE DETECTOR

A ground loop must be used with a photocell to control the opening and closing of a gate. If a vehicle wishing to exit drives over the ground loop the gate will open. If the vehicle remains over the ground loop or the photocell light beam is broken the gate will remain open. Once both are clear the gate will auto-close normally or if the photocell closing control is active (DIP 3 ON), will close immediately or can be delayed. For incoming vehicles sharing the same gate the photocells closing control is inherited by the ground loop.



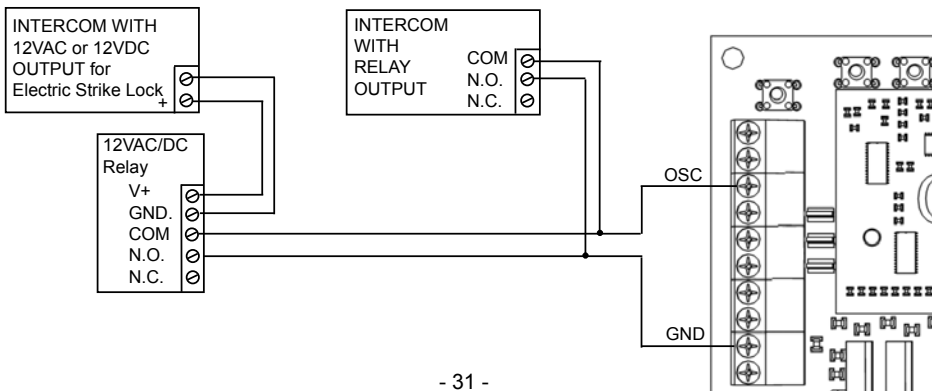
TERMINATING A 7-DAY TIMER, DIGITAL KEYPAD OR KEYSWITCH TO HOLD THE GATE OPEN.

A 7-Day Timer, Digital Keypad, Key switch or any other clean contact normally closed (NC) device can be used to hold the gate open. Because this is a normally closed connection all devices must be OFF (contact closed) before the gate will close. To hold the gate open any one device must remain ON (contact open). Gate closure will occur once all contacts are closed and the auto-close delay has timed out.



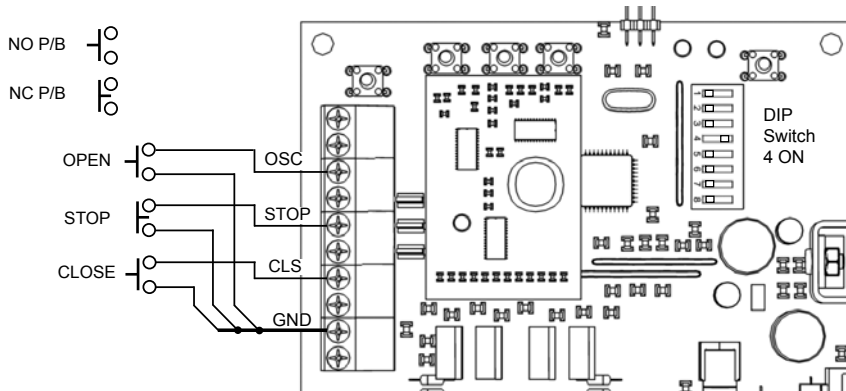
TERMINATING AN INTERCOM

Intercoms also use a normally open connection to the control board. Intercoms will either have a relay output with clean contacts or output 12VAC or 12VDC to directly operate an electric strike lock. The later requires a relay available as an accessory and will work with both 12VAC or 12VDC.



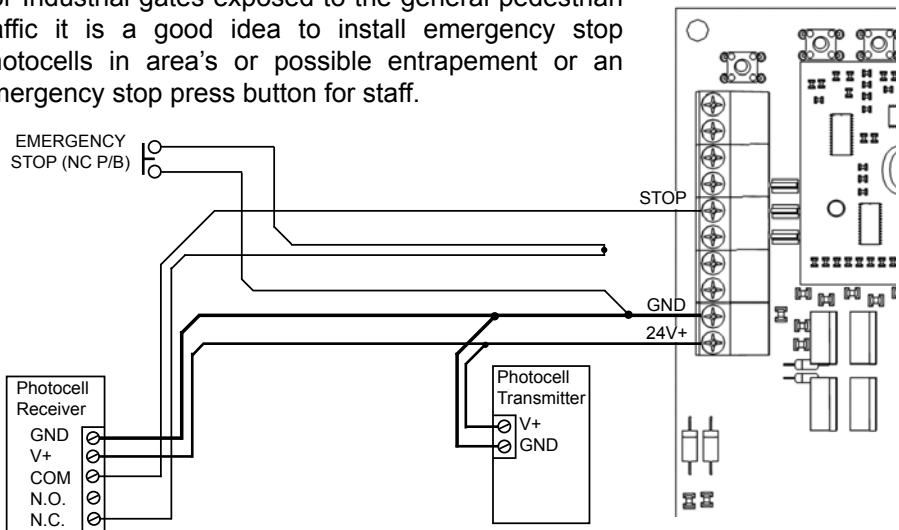
TERMINATING SEPERATE OPEN, STOP AND CLOSE P/Bs

With some Industrial Applications it may be necessary to have three separate Press Buttons for Opening, Stopping and Closing the Gate.



TERMINATING EMERGENCY STOP DEVICES

For Industrial gates exposed to the general pedestrian traffic it is a good idea to install emergency stop photocells in area's or possible entrapement or an emergency stop press button for staff.



POWERING UP FOR THE FIRST TIME

Before you can go any further you must Power the Gate operator up for the first time. **Make sure the control board input shunts are ON.** Then plug the Batt/ DC IN terminal in.

STEP 5 - TUNE THE REMOTE CONTROLS IN

If an on board receiver is used (not a stand alone receiver)

Button A is the main button on the remote control for opening the gate. The other buttons can be used for other options or opening a garage door (e-Gate RX-1 receiver required).



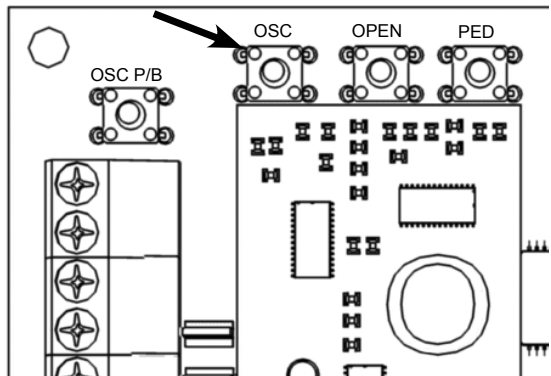
Each remote control transmits a unique digital code. Before the control board can respond, it must first **learn this code and know what action to take.**

REMOTE CONTROL WITH OPEN, STOP AND MANUAL CLOSE

At the top right hand corner of the Control Board are three press buttons used for Learning the remote controls codes for different actions.

For Opening the gate with Manual Stop and Close Press the “OSC” Learn Button, a beeper will start beeping, then press a button on the remote control within range of the gate and the beeper will beep more

rapidly for a second to confirm it has been learned. This button should now operate the gate. Repeat the same with all remote controls.



REMOTE CONTROL OPEN WITH AUTO-CLOSE.

If you do as above but use the “OPEN” Learn Button, the remote control will now open the gate only and it will close automatically after auto-close delay or close with an OSC or CLOSE input.

You can use one remote control button to open the gate with manual close (OSC) and a second with auto-close (OPEN) if you like. Button A is handy to have with open only and auto-close for normal use and button B with Open, Stop and Manual close in case you want to back a trailer in and don't want the gate closing on you.

The control board can Learn up to 60 separate remote control buttons.

REMOVING REMOTE CONTROLS

To remove one remote control button press the OSC LEARN button, a beeper will start beeping, then press the already learned remote control button you wish to remove, the beeper will beep more rapidly for a second to confirm removal.

If you don't have the remote control then you must remove all remote controls and re-Learn the ones you have. If you have a lot of remote controls then consider using the RX-Mega stand alone receiver as it can learn up to 1000 remote controls and individual remote controls can be removed even if it has been lost.

To remove all remote controls press and hold OSC LEARN button for more than 10 seconds (beeps) and the beeper will beep more rapidly indicating that all remote controls have all been removed.

REMOTE CONTROLLED PEDESTRIAN ENTRY

If your automatic gate is the only way in or out of your property you can allow user access on foot only, by having the remote control open the gate part way and closing automatically after a pre-set delay. This delay can be set independently from the vehicular entry auto-close delay see "Changing the Pedestrian-close Delay" section in step 9.

Use the "PED" Learn Button on the control board and any unused button on the remote control as you did above. To set the amount the gate will open see Step 7.

USER ADDING REMOTE CONTROLS AT LATER DATE

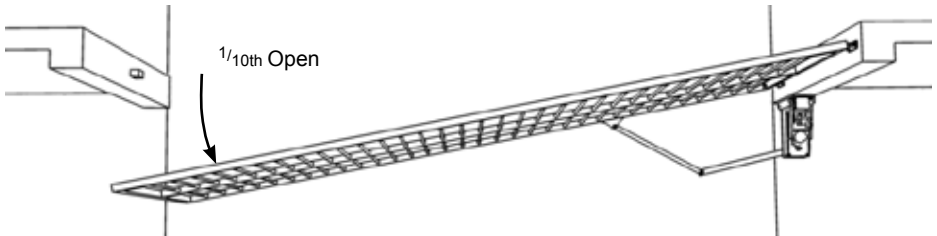
If you have at least one remote control that operates your gate you can use this to tune in new remote controls without having to open the control box up. This is done by pressing combinations of buttons together on the working remote control within range of the gate. Pressing Buttons A and D together is the same as pressing the "OSC" Learn Button on the control board, A and C together is the same as pressing the "OPEN" Learn button and B and D for "PED" Learn Button. Once you press any of these combinations you'll hear the beeper in the control box beeping. You can now press a button on a new remote control to get it to operate the gate.

Remote control buttons can also be deleted from memory this way. As a safe guard not all remote control buttons can be deleted, using this method, there will always be one left working, so the end user can't accidentally delete them all and not know how to get it working again.

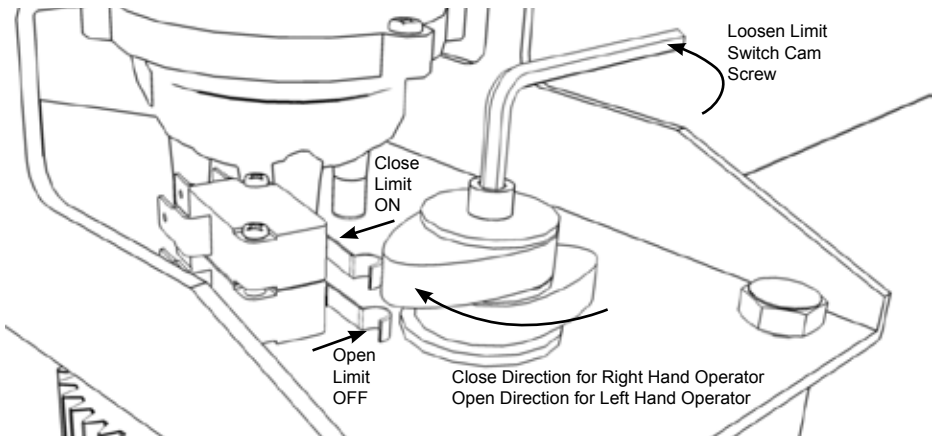
STEP 6 - SET GATE OPEN AND CLOSE LIMITS

SETTING THE LIMIT SWITCHES (IF USED)

To begin make sure both limit switch inputs are deactivated (Shunts in place). Using the on board OSC P/B or remote control open the gate about $\frac{1}{10}$ th open.



Loosen the limit switch cam screw with a hex key and set the top limit switch so it just clicks ON in the close direction and the bottom cam facing in the opposite direction, then lightly tighten the limit switch cam screw.



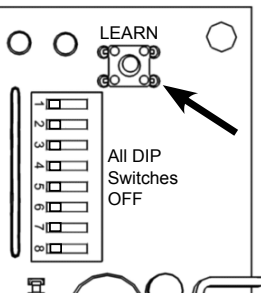
Now open the gate about $\frac{1}{10}$ th short of fully open and set the bottom limit switch so it just clicks ON in the open direction.

The limit switches set the point when the gate speed starts to ramp down for a soft stop. If you now activate the limit switch inputs (Shunts removed) then open and close the gate using the on board OSC P/B or remote control you can test where the gate will stop. Adjust the limit switches accordingly as you go to set the open and close limits exactly where you want. The gate may encounter a hard stop any time during ramp down. Once finished tighten the Limit Switch Cam screw fully being careful not to move the cams.

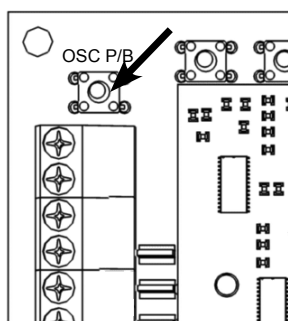
To change the Pedestrian Entry Opening when using limit switches the 'Learn Gate Limits' function must be run, see next page.

USING HARD STOPS ONLY

Top RH corner of control board



Top LH corner of control board



If the gates open and close limits are to be set with hard stops the **Limit Switch shunts should be in place** to deactivate them, whether wired up or not.

The 'Learn Gate Limits' function must be run on the control board before the operator will work properly. This function closes then opens the gate to learn the opening time automatically.

IF YOU WISH TO USE THE PEDESTRIAN ENTRY FEATURE or change this opening when using limit switches then start by opening the gate by the desired amount using the OSC P/B on the control board, other wise any position will do.

IF USING LIMIT SWITCHES AND YOU WISH TO CHANGE THE PEDESTRIAN OPENING then temporarily disable the limit switch inputs using the shunts to allow the gate to run past the open and close limits during the 'Learn Gate Limits' function, you can stop them using the on board OSC P/B, remote control or temporary hards stops. Remember to remove the limit switch shunts again when finished.

TO START THE LEARN GATE LIMITS FUNCTION make sure all DIP Switches are OFF then press the LEARN button and the Beeper will start beeping. Now press the OSC P/B on the control board or remote control to start the function running.

ONCE STARTED the gate will start closing as it searches for the close stop.

WHEN IT FINDS THE CLOSE STOP it will beep rapidly for a second to confirm then start opening to find the open STOP.

ONCE THE OPEN STOP IS FOUND the controller will beep rapidly for a second to confirm then go back to normal operation leaving the gate open.

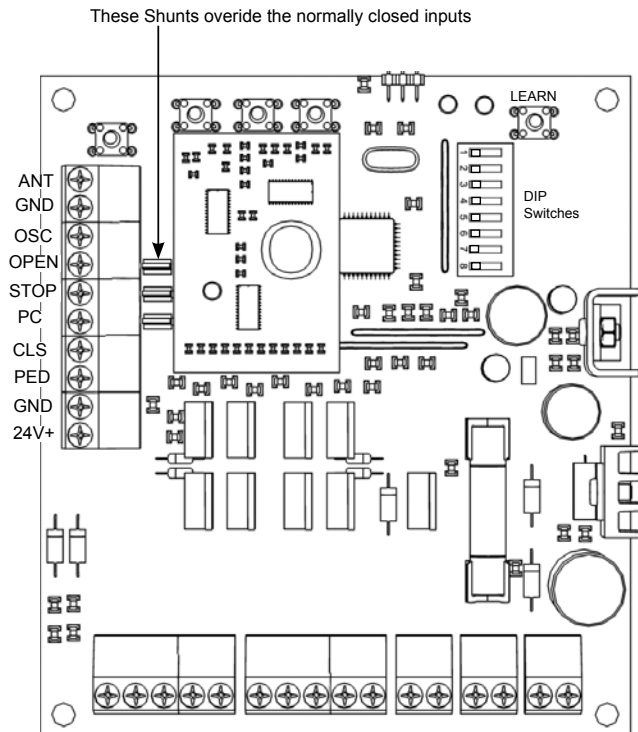
THE CONTROLLER WILL REMEMBER the open and close limits and pedestrian opening from this time on, even if the power is removed from the operator.

STEP 7 - ACTIVATE AND TEST ACCESSORIES

Any intercoms, key switches, press buttons or digital keypads connected to the OSC, PED, or CLOSE inputs can now be tested. The OSC input opens, stops and closes the gate. The PED input opens the gate part way, then will close automatically after the Ped-close delay. The CLOSE input closes the gate only.

Any devices connected to the OPEN, STOP or PC inputs require their shunt to be removed before they will be active. The open input opens the gate, will hold it open while ON and will close automatically after auto-close delay once OFF. The STOP input will stop the gate in any direction when ever it is moving. The PC input will reverse the gate while closing only and hold it open while it remains ON and will close automatically after close delay once OFF.

OTHER OPTIONS FOR CONTROL INPUTS



DIP 1 ON - activates auto-close function for the OSC control input or any remote control button that has been activated for OSC operation. Gate will close after preset auto-close delay.

DIP 3 ON - allows the Photocell(s) to control closing of the gate immediately or after a preset Photocell-close delay - default delay is 2 seconds

DIP 4 ON - changes the OSC input so it can open the gate only. Ideal when there is a lot of users. Must be used with auto-close or the Close Control input to close the gate.

DIP 5 ON - deactivates the auto-close feature for the OPEN only control input. This is to allow this input to be used for a manual close for commercial installations.

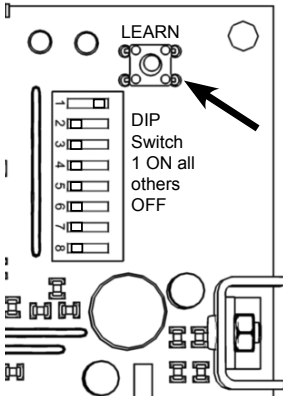
DIPs 2, 6, 7 and 8 are spare and can be used to select special features that may be programmed into the control board.

STEP 8 - FINE TUNE GATE OPERATOR PREFERENCES

The DIP Switch and Learn Button have a secondary purpose, which is to make changes to the Control Boards preferences. Once the preferences have been set the DIP switches should be returned back to the way they were for normal operation.

CHANGING THE AUTO-CLOSE DELAY

Top RH corner of control board



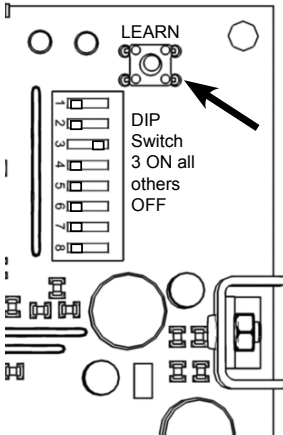
With DIP Switch 1 only ON, press the LEARN button and the Beeper will start beeping, it is not necessary to hold the LEARN button. **Now wait for the desired Auto-close time and press the LEARN button again.** The Beeper will beep more rapidly for a second to confirm the new delay has been learned.

The Beeper beeps once a second, so if you count the beeps you are counting seconds, handy if you want an exact time.

If you leave it beeping it will time out after 4 minutes and set this as the auto-close delay.

CHANGING THE PHOTOCCELL-CLOSE DELAY

Top RH corner of control board



With DIP Switch 3 only ON, press the LEARN button and a Beeper will start beeping, it is not necessary to hold the LEARN button. **Now wait for the desired Photocell-close delay and press the Learn button again.** The Beeper will beep more rapidly for a second to confirm the new delay has been learned.

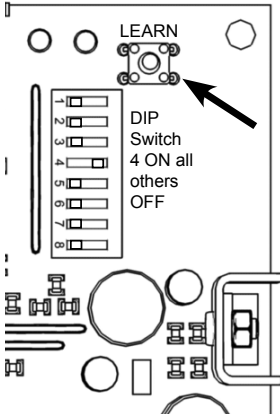
The Beeper beeps once a second, so if you count the beeps you are counting seconds, handy if you want an exact time.

If you leave it beeping it will time out after 4 minutes and set that as the delay.

If you want no delay just press the LEARN button twice within a second.

CHANGING THE PEDESTRIAN-CLOSE DELAY

Top RH corner of control board



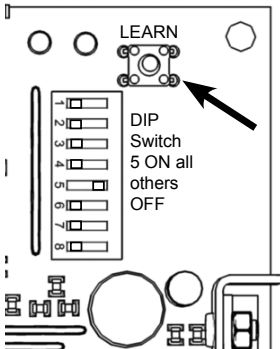
With DIP Switch 4 only ON, press the LEARN button and a Beeper will start beeping, it is not necessary to hold the LEARN button. **Now wait for the desired Pedstrian close delay and press the Learn button again.** The Beeper will beep more rapidly for a second to confirm the new delay has been learned.

The Beeper beeps once a second, so if you count the beeps you are counting seconds, handy if you want an exact time.

If you leave it beeping it will time out after 4 minutes and set that as the delay.

CHANGING THE LOCK/LIGHT OUTPUT

Top RH corner of control board



There are 6 modes of operation for the Lock/Light output including:

1. Strike Lock - comes ON for 2 seconds on open
2. Light timer 1 - comes ON for 1 minute on open
3. Light timer 4 - comes ON for 4 minutes on open
4. Open indicator - comes ON when gate is open
5. Brake mode - comes ON when gate is moving
6. Clamp mode - comes ON when gate is closed.

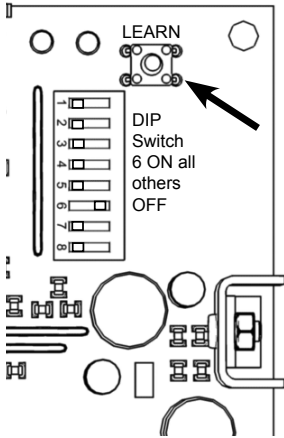
The factory setting for the Lock/Light Output is mode1 for a strike lock

With DIP Switch 5 only ON, press the LEARN button and the control board will beep out the current mode ie. if the mode is 3 there will be 3 beeps, then there will be a pause for 2 seconds and it will start beeping again. This is when you can change the mode by pressing the Learn button at the desired beep ie. if you want to change it to mode 5 then press the Learn button during the 5th Beep. The control board will beep more rapidly to confirm the new setting .

If you change your mind half way through just don't press the Learn button again and it will time out after 6 beeps and no change will be made.

CHANGING THE LEVEL OF SOFT START AND SOFT STOP

Top RH corner of control board



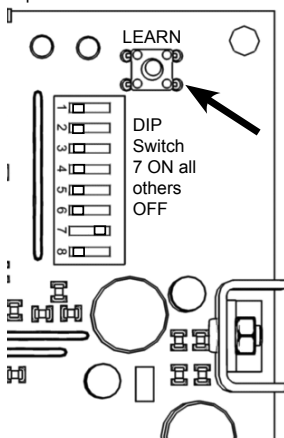
There are 16 levels of Soft Start/Stop numbered from 1 to 16. The factory setting is 8, 1 being least and 16 being the most.

With DIP Switch 6 only ON, press the LEARN button and the control board will beep out the current level ie. if the level is 3 there will be 3 beeps, then there will be a pause for 2 seconds and it will start beeping again. This is when you can change the level by pressing the Learn button at the desired beep ie. if you want to change it to level 5 then press the Learn button during the 5th Beep. The control board will beep more rapidly to confirm the new setting.

If you change your mind half way through just don't press the Learn button again and it will time out after 16 beeps and no change will be made.

CHANGING THE GATE OBSTRUCTION SENSITIVITY

Top RH corner of control board



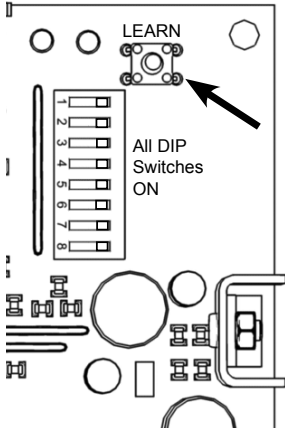
If the gate is obstructed while operating it will stop and reverse away. There are 6 different levels of Obstruction Sensitivity for the gate numbered from 10 to 16. The factory setting is 12 with 10 being the most sensitive and 16 being the least.

With DIP Switch 7 only ON, press the LEARN button and the control board will beep out the current level ie. if the level is 12 there will be 12 beeps, then there will be a pause for 2 seconds and it will start beeping again. This is when you can change the level by pressing the Learn button at the desired beep ie. if you want to change it to level 15 then press the Learn button during the 15th Beep. The control board will beep more rapidly to confirm the new setting.

If you change your mind half way through just don't press the Learn button again and it will time out after 16 beeps and no change will be made.

RETURNING TO THE FACTORY SETTINGS

Top RH corner of control board



If you get into trouble and want to return everything back to the way it was before you started you can restore the factory settings by turning ALL DIP Switches ON and pressing the LEARN Button. The beeper will beep rapidly for a second to confirm the factory settings have been restored.

You must turn the DIP Switches OFF again before proceeding further.

RECOMMENDED MAINTENANCE SCHEDULE

Maintenance Schedule depends on frequency of use as follows:	
Cycles per day	Maintenance Period
Over 150	each Month
100 to 150	every 2 months
50 to 100	every 4 months
20 to 50	every 6 months
up to 20	every 12 months

MAINTENANCE CHECKLIST

Use the following Checklist for Scheduled Maintenance of the SWG-24V-IND-S Gate Operator

- Gate Hinges in Good Condition and Lubricated
- Gate Swings Freely with suitable clearance from ground/posts.
- Gate Hard Stops in good condition
- Gate Operator and gate mounting bracket bolts/nuts are tight
- All arm joints loose but firm
- No oil leaks from gear boxes
- Gear box drive cogs tight on shafts
- Gear box mounting bolts/nuts tight
- Manual release/torque limiter works correctly
- Inside operator clean from insects, animal droppings, spider webs etc...
- 'Baygon' Surface spray around operator (not on electronics)
- Chain lightly oiled
- All Electrical Connections tight
- Limit Switches (if used) operate in appropriate open and close positions
- Access/Exit control devices work properly
- External Safety devices work properly
- External Locks work properly
- Check all components for corrosion

ACCESSORIES AVAILABLE

SWG-IND-ELA	Extra Long Arm for very wide gate posts
SWG-IND-CHA	Channel arm for limited clearance (less than 600mm) behind open gate.
SWG-IND-OSA	Out swinging arm for outward opening gates.
TX-4	Extra Remote Controls for either 433.92Mhz (Blue) and 315Mhz (White)
RX-1	Stand alone Receiver - to allow a garage door or another brand of gate operator to be operated with the e-Gate remote control ether 433.92Mhz or 315Mhz.
RX-Mega	Mega User Receiver allows use of up to 1000 remote controls that can be removed individually even if lost or stolen.
ANT-1	Antenna for remote control ether 433.92Mhz or 315Mhz.
BATT-TX	Replacement Battery for TX-4 Remote control
BATT-12V-7Ah	Replacement Battery for Gate Operator (two required for 24V)
Batt-12V-26Ah	Battery for extending continous operating time (2 required for 24V)
Batt-12V-65Ah	Battery for extending continous operating time (2 required for 24V)
ST-130	Wired Single Channel Digital Keypad
VCB-12	Voltage Converter Board 16 to 24VAC/DC in and 12V 500mA out
RLY-12	Relay Board 12VAC/DC in and clean contacts rated at 60VDC/125AC 2A
RLY-24	Relay Board 24VAC/DC in and clean contacts rated at 60VDC/125AC 2A
PC-1	Photocell 12/24VAC/DC 15m outdoor
Clamp-200kg	Small electro-magnetic clamp for single swing gates
Clamp-400kg	Large electro-magntic clamp for single swing gates

TROUBLE SHOOTING

Gate runs in the wrong direction - check the motor power wires are correct, if wired the wrong way around the operator will travel in the wrong direction.

Gate runs for a short distance then stops - check the limit switch cabling, Obstruction Sensitivity level or the gate isn't being overloaded by a stiff gate.

Operator not working at all - check power cord or battery cable is plugged in. Check there is power at the gate. Check fuse on the control board.

Operator running slowly - check the battery is connected properly and charged. A fully charged battery should be at 27.6VDC. Anything lower than 24VDC may be too flat to operate properly.

Gate won't work when first powered up - check the OPEN input cable connections, check any device that may be connected to the OPEN input or if nothing connected check the OPEN inputs shunt is in place.

OPEN, PC or STOP inputs won't work - check the shunt for these inputs has been removed. These shunts override the input preventing it from working, which is to save having to add wire loops.

Remote control range drops some times - most likely caused by interference from some other device in the area using a similar frequency. Installing an external antenna can minimize the effects of interference, other wise if this doesn't help the frequency of the remote controls should be changed. Each remote control will need to be changed for a different frequency along with the receiver module plugged into the e-Gate control or stand alone receiver board(s). The receiver module is a small yellow board that plugs into the main board near where the antenna is wired in. Power should be removed form the operator before a receiver module is changed. Both the remote controls and receiver modules come in either 433.92Mhz or 315Mhz, if you have interference problems with one frequency we can send you remote controls of the other frequency, which normally solves the problem.

WARRANTY

a 12 Month Back to Base Warranty is offered by Grant's Automation for any defect in a Gate Operator System manufactured by Grant's Automation or any third party component supplier to Grant's Automation due to faulty workmanship or materials causing the Operator to fail to work as specified in this Installation and Service Manual.

Should any fault occur during the first 12 months after the operator was purchased, it should be returned to the factory for repair or at the discretion of Grant's Automation replacement at no charge under the following conditions:

1. Proof of purchase is required ie. Invoice or purchase details recorded by Grant's Automation.
2. If an operator is not installed immediately after purchase, at the discretion of Grant's Automation, the warranty may be extended to up to a maximum of 12 months after the date installed.
3. The operator has been installed and serviced according to this Installation and Service Manual.
4. The operator has not been used for a gate larger, of a different type or higher frequency of use than that specified in this Installation and Service Manual. The gate specifications are required before any claims will be accepted.
5. The operator hasn't been used in a highly corrosive environment or has been exposed to contaminants that could cause the operator to fail.
6. The operator has not been used for purposes other than it was intended for.
7. The operator has not been tampered with or modified by any party not authorised in writing by Grant's Automation to do so.
8. The operator has not been damaged by any malicious act, accident, animals or adverse weather conditions beyond the control of Grant's Automation.
9. A reasonable amount of care with handling or using the operator has been taken.